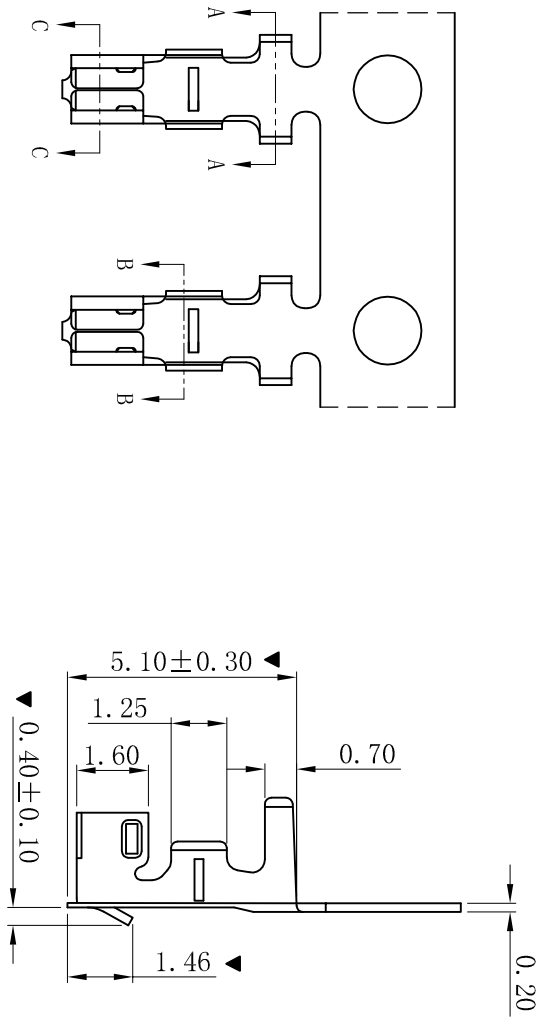
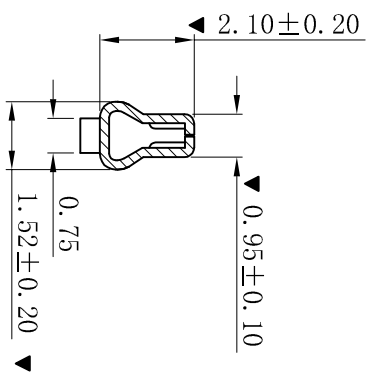
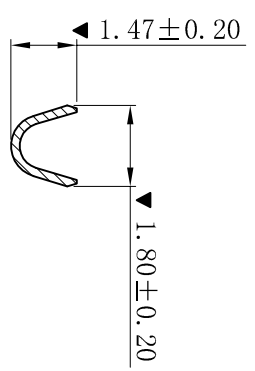
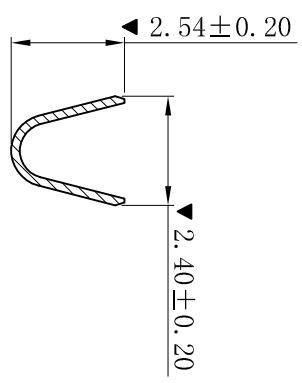


RoHS



- SPECIFICATIONS
- Voltage rating: 250V AC, DC
  - Current rating: 3A, AC, DC
  - Withstanding Voltage: 1000V AC/minute
  - Temperature range: -25° C~+85° C
  - Contact resistance: 20mΩ max
- TERMINAL
- Part No.: T2008PT
  - Applicable wire: AWG#24-#28
  - Material: Phosphor Bronze
  - Finish: Tin-Plated
  - The Dimension Marked "▼" Must Be Recorded



A		1		2		3		4		5		6		7		8		9		10	
<p>更新图面</p> <p>2019-06-03</p> <p>陈雄军</p>																					
<p>修打版本</p> <p>2015-11-04</p> <p>陈雄军</p>																					
<p>变更图宽格式内容</p> <p>2013-12-27</p> <p>陈雄军</p>																					
<p>新版本</p> <p>2011-05-24</p> <p>陈雄军</p>																					
<p>说明</p> <p>2011-05-24</p> <p>陈雄军</p>																					
<p>版次</p> <p>2011-05-24</p> <p>陈雄军</p>																					
<p>REV.</p> <p>2011-05-24</p> <p>陈雄军</p>																					
<p>一般公差</p> <p>GENERAL TOLERANCE:</p> <p>0±0.30</p> <p>.0±0.25</p> <p>.00±0.20</p> <p>.000±0.05</p> <p>ANGLE: ±1°</p>												<p>投影法</p> <p>Projection</p> <p>单位 Unit</p> <p>MM</p> <p>比例/Scale</p> <p>1:1</p> <p>大小/Size</p> <p>A4</p> <p>页码/SHEET</p> <p>1/1</p> <p>版本/Rev</p> <p>D</p>									
<p>XYDZ® 东莞市祥运连接器有限公司</p> <p>Connectors</p> <p>Dongguan XiangYun Connectors CO., Ltd</p>												<p>品名</p> <p>(PART NAME)</p> <p>IL-S2.00mm Terminal</p> <p>Connector Series</p>									
<p>料号</p> <p>(PART NO)</p> <p>T2008PT</p>												<p>状态码</p> <p>C</p>									