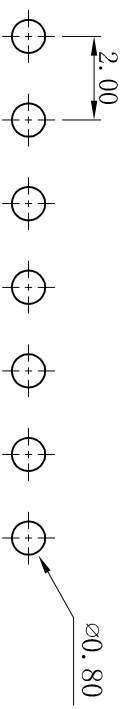
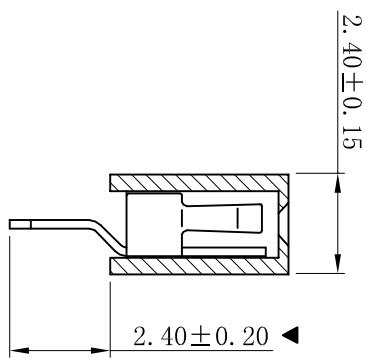
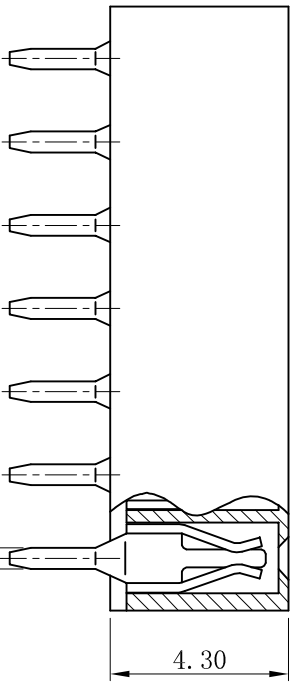
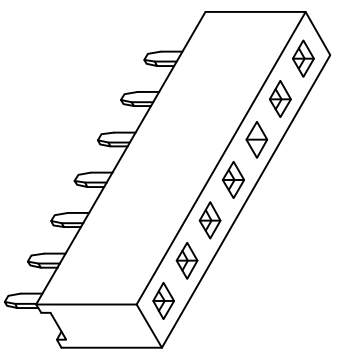
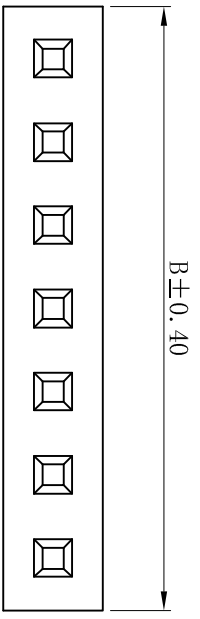


RoHS



P.C.B LAYOUT

- SPECIFICATIONS
- Voltage rating: 250V AC, DC
  - Current rating: 1A, AC, DC
  - Withstanding Voltage: 500V AC/minute
  - Insulation resistance: 1000MΩ min
  - Temperature range: -25° C +85° C
  - Contact resistance: 20mΩ max
- WAFER
- Part No. : W2010MW-1xNP
  - Poles : 02-40P
  - Housing Material: PA46 UL94V-0
  - Pin Material: Brass
  - Contact Area Plating: Gold-Flash
  - The Dimension Marked “▼” Must Be Recorded

Poles	Dimension (mm)		Poles	Dimension (mm)	
	A	B		A	B
02	2.00	4.60	22	42.00	44.60
03	4.00	6.60	23	44.00	46.60
04	6.00	8.60	24	46.00	48.60
05	8.00	10.60	25	48.00	50.60
06	10.00	12.60	26	50.00	52.60
07	12.00	14.60	27	52.00	54.60
08	14.00	16.60	28	54.00	56.60
09	16.00	18.60	29	56.00	58.60
10	18.00	20.60	30	58.00	60.60
11	20.00	22.60	31	60.00	62.60
12	22.00	24.60	32	62.00	64.60
13	24.00	26.60	33	64.00	66.60
14	26.00	28.60	34	66.00	68.60
15	28.00	30.60	35	68.00	70.60
16	30.00	32.60	36	70.00	72.60
17	32.00	34.60	37	72.00	74.60
18	34.00	36.60	38	74.00	76.60
19	36.00	38.60	39	76.00	78.60
20	38.00	40.60	40	78.00	80.60
21	40.00	42.60			

D	更新图面	2019-06-03	陈雄军
C	修订版本	2015-11-04	陈雄军
B	变更图宽格式内容	2013-12-27	陈雄军
A	新版本	2011-05-24	陈雄军
H	版次 RRV.	说明 DESCRIPTION	日期 DATE
1	1	2	3
2	4	5	6
3	7	8	9
4	10		

一般公差 GENERAL TOLERANCE:	0±0.30 .0±0.25 .00±0.20 .000±0.05
绘图/DR	陈雄军
审核/CHECK	胡进
批准/APPRO	胡进
日期/DATE	2019-06-03

**XYDZ® 东莞市祥运连接器有限公司**  
Dongguan XiangYun Connectors CO., Ltd

投影法  
单位 Unit: MM  
比例/Scale: 1:1  
大小/Size: A4  
页码/SHEET: 1/1  
版本/Rev: D

品名 (PART NAME): 2.00mm 180° 排母 H:4.3  
料号 (PART NO): W2010MW-1xNP  
状态码: C