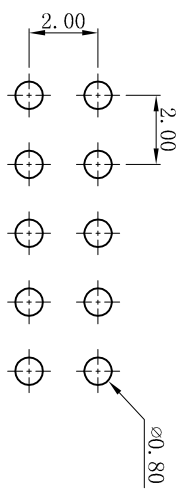
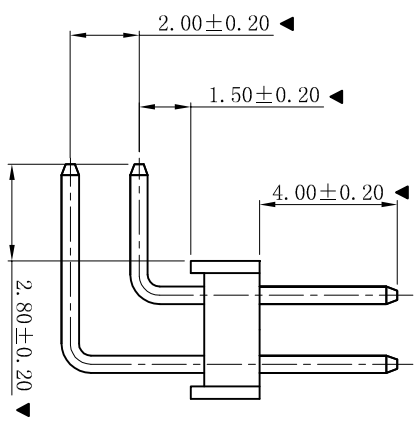
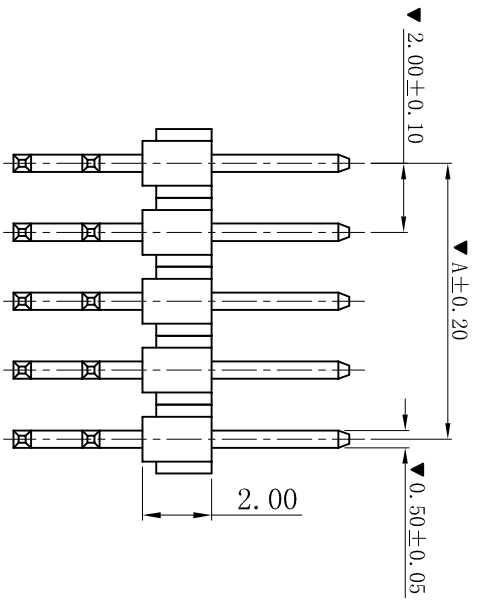
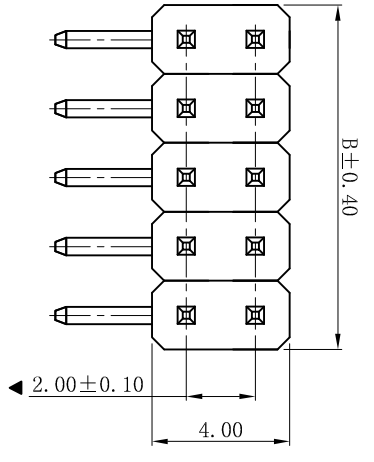


RoHS



P. C. B LAYOUT

■ SPECIFICATIONS

- Voltage rating: 250V AC, DC
 - Current rating: 3A, AC, DC
 - Withstanding Voltage: 800V AC/minute
 - Insulation resistance: 1000MΩ min
 - Temperature range: -25° C ~ +85° C
 - Contact resistance: 20mΩ max
- WAFER
- Part No. : W2010R-2xNP
 - Poles : 02-40P
 - Housing Material: PBT UL94V-0 Black
 - Pin Material: Brass
 - Contact Area Plating: Gold-Flash
 - The Dimension Marked “▼” Must Be Recorded

Poles	Dimension (mm)		Dimension (mm)		
	A	B	A	B	
2x02	2.00	4.00	2x22	42.00	44.00
2x03	4.00	6.00	2x23	44.00	46.00
2x04	6.00	8.00	2x24	46.00	48.00
2x05	8.00	10.00	2x25	48.00	50.00
2x06	10.00	12.00	2x26	50.00	52.00
2x07	12.00	14.00	2x27	52.00	54.00
2x08	14.00	16.00	2x28	54.00	56.00
2x09	16.00	18.00	2x29	56.00	58.00
2x10	18.00	20.00	2x30	58.00	60.00
2x11	20.00	22.00	2x31	60.00	62.00
2x12	22.00	24.00	2x32	62.00	64.00
2x13	24.00	26.00	2x33	64.00	66.00
2x14	26.00	28.00	2x34	66.00	68.00
2x15	28.00	30.00	2x35	68.00	70.00
2x16	30.00	32.00	2x36	70.00	72.00
2x17	32.00	34.00	2x37	72.00	74.00
2x18	34.00	36.00	2x38	74.00	76.00
2x19	36.00	38.00	2x39	76.00	78.00
2x20	38.00	40.00	2x40	78.00	80.00
2x21	40.00	42.00			

XYDZ® 东莞市祥运连接器有限公司
 Dongguan XiangYun Connectors CO., Ltd

更新图面		2019-06-03	陈雄军	一般公差 GENERAL TOLERANCE: 0±0.30 .0±0.25 .000±0.05 ANGLE: ±1°	投影法 Projection MM	品名 (PART NAME)	杜邦 2.00mm 90° 排针 Connector Series
修打版本		2015-11-04	陈雄军	绘图/DR	单位 Unit		
变更图宽格式内容		2013-12-27	陈雄军	审核/CHCK	比例/Scale		
新版本		2011-05-24	陈雄军	批准/APPRO	大小/Size		
说明		日期 DATE:	承认 APPRO.	日期/DATE	页码/SHEET	料号 (PART NO)	W2010R-2xNP
版次 REV.		1		2019-06-03	版本/Rev	D	状态码 C