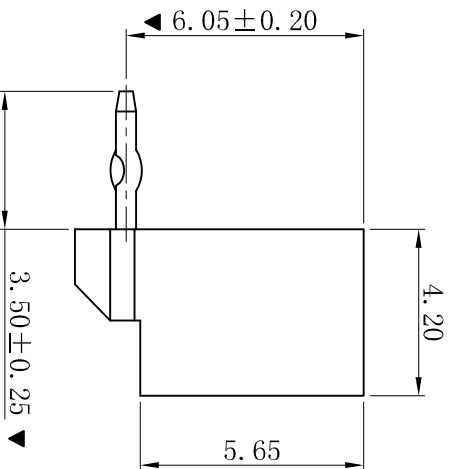
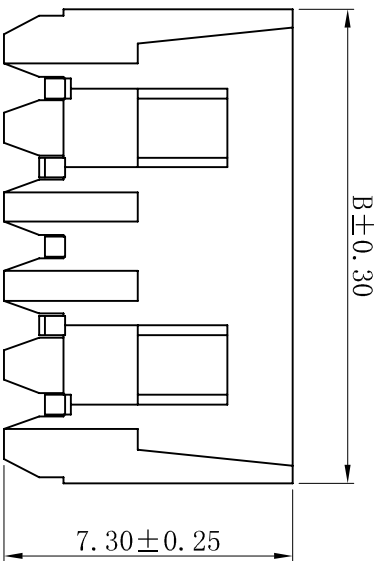
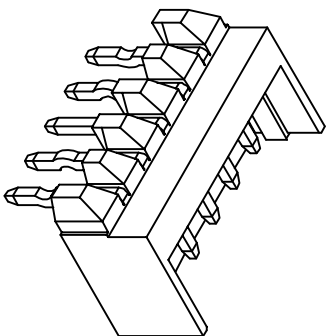
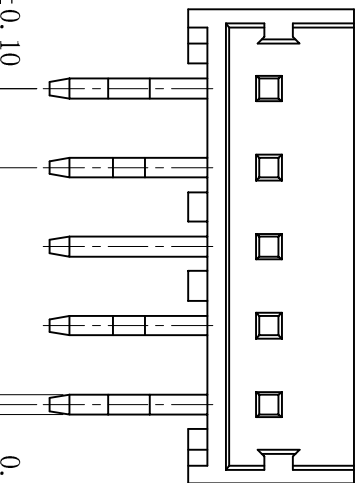


RoHS



P. C. B LAYOUT

| Poles | Dimensions (mm) | |
|-------|-----------------|-------|
| | A | B |
| 02 | 2.00 | 6.00 |
| 03 | 4.00 | 8.00 |
| 04 | 6.00 | 10.00 |
| 05 | 8.00 | 12.00 |
| 06 | 10.00 | 14.00 |
| 07 | 12.00 | 16.00 |
| 08 | 14.00 | 18.00 |
| 09 | 16.00 | 20.00 |
| 10 | 18.00 | 22.00 |
| 11 | 20.00 | 24.00 |
| 12 | 22.00 | 26.00 |
| 13 | 24.00 | 28.00 |
| 14 | 26.00 | 30.00 |
| 15 | 28.00 | 32.00 |

| | | | | | |
|---|------------|-------------------|------------|----------------------------|--|
| D | 更新图面 | 2019-06-03 | 陈雄军 | 一般公差 GENERAL TOLERANCE: | 0±0.30 .0±0.25 .00±0.20 .000±0.05 |
| C | 修订版本 | 2015-11-04 | 陈雄军 | 绘图/DR | 陈雄军 |
| B | 变更图宽格式内容 | 2013-12-27 | 陈雄军 | 审核/CHECK | 陈雄军 |
| A | 新版本 | 2011-05-24 | 陈雄军 | 批准/APPRO | 胡进 |
| H | 版次 REV. | 说明 DESCRIPTION | 日期 DATE | 承认 APPRO. | 日期/DATE |

XYDZ® 东莞市祥运连接器有限公司
Dongguan Xiangyun Connector s CO., Ltd

| | | |
|-------------------|-------------------|---|
| 投影法 Projection | 品名 (PART NAME) | Mollex 2.00mm 53254 90° Wafer Connector Series |
| 单位 Unit | 料号 (PART NO) | W2014R-NP |
| 比例/Scale | 页码/SHEET | 状态码 |
| 大小/Size | 版本/Rev | C |
| 1:1 | D | |
| A4 | | |
| 1/1 | | |

- SPECIFICATIONS
- Voltage rating: 100V AC, DC
 - Current rating: 2A, AC, DC
 - Withstanding Voltage: 800V AC/minute
 - Insulation resistance: 1000MΩ min
 - Temperature range: -25° C~+85° C
 - Contact resistance: 10mΩ max
- WAFER
- Part No.: W2014R-NP
 - Poles : 02-15P
 - Housing Material: PA66 UL94V-0
 - Pin Material: Brass
 - Contact Area Plating: Tin-Plated
 - The Dimension Marked “▼” Must Be Recorded