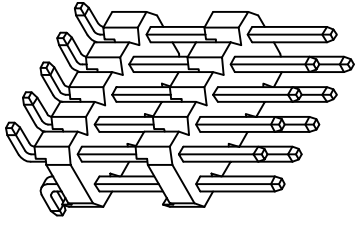
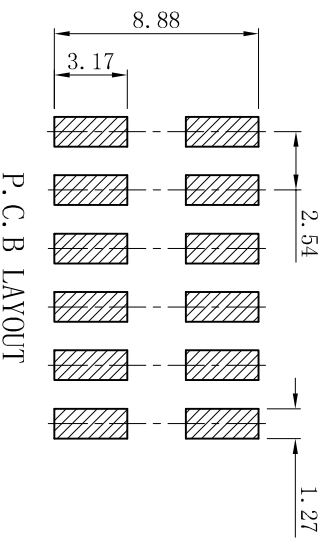
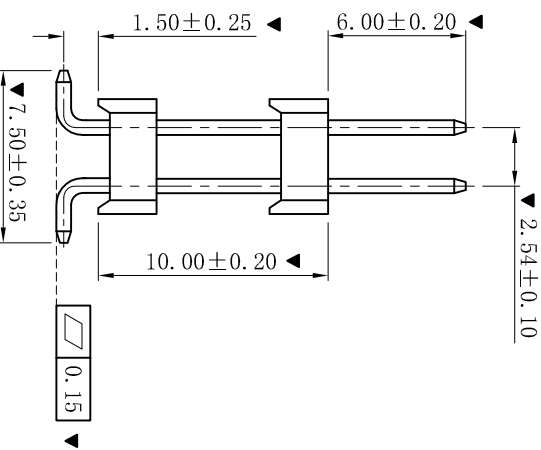
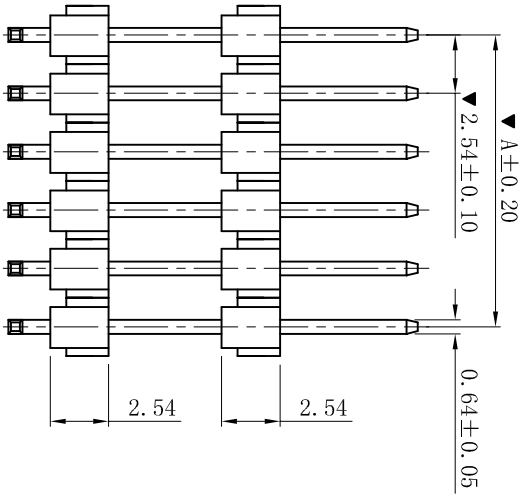
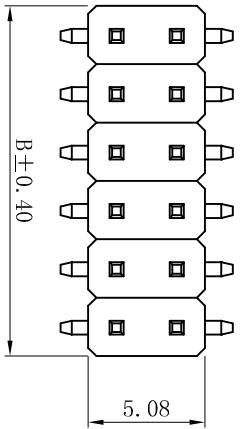


ROHS



■ SPECIFICATIONS

- Voltage rating: 250V AC, DC
- Current rating: 3A, AC, DC
- Withstanding Voltage: 1000V AC/minute
- Insulation resistance: 1000MΩ min
- Temperature range: -25° C~+85° C
- Contact resistance: 20mΩ max

■ WAFER

- Part No. : W2544SVJ-2xNP
- Poles : 02-80P
- Housing Material : PA6T UL94V-0 Black
- Pin Material : Brass
- Contact Area Plating: Gold-Flash
- The Dimension Marked “▼” Must Be Recorded

Poles	Dimension (mm)		Poles		Dimension (mm)	
	A	B	A	B	A	B
2x01	---	---	2x21	50.80	53.34	
2x02	2.54	5.08	2x22	53.34	55.88	
2x03	5.08	7.62	2x23	55.88	58.42	
2x04	7.62	10.16	2x24	58.42	60.96	
2x05	10.16	12.70	2x25	60.96	63.50	
2x06	12.70	15.24	2x26	63.50	66.04	
2x07	15.24	17.78	2x27	66.04	68.58	
2x08	17.78	20.32	2x28	68.58	71.12	
2x09	20.32	22.86	2x29	71.12	73.66	
2x10	22.86	25.40	2x30	73.66	76.20	
2x11	25.40	27.94	2x31	76.20	78.74	
2x12	27.94	30.48	2x32	78.74	81.28	
2x13	30.48	33.02	2x33	81.28	83.82	
2x14	33.02	35.56	2x34	83.82	86.36	
2x15	35.56	38.10	2x35	86.36	88.90	
2x16	38.10	40.64	2x36	88.90	91.44	
2x17	40.64	43.18	2x37	91.44	93.98	
2x18	43.18	45.72	2x38	93.98	96.52	
2x19	45.72	48.26	2x39	96.52	99.06	
2x20	48.26	50.80	2x40	99.06	101.60	

XYDZ® 东莞市祥运连接器有限公司
Dongguan XiangYun Connectors CO., Ltd

更新图面		2019-06-03	陈雄军	一般公差 GENERAL TOLERANCE: ANGLE: ±1°		0±0.30 .0±0.25 .00±0.20 .000±0.05
修订版本		2015-11-04	陈雄军	绘图/DR	陈雄军	投影法 Projection
变更图宽格式内容		2013-12-27	陈雄军	审核/CHECK	陈雄军	单位 Unit
新版本		2011-05-24	陈雄军	核准/APPRO	胡进	比例/Scale
说明		日期	承认	日期/DATE	2019-06-03	大小/Size
DESCRPTION		DATE	APPRO.	日期/DATE	2019-06-03	页码/Sheet
1		2	3	4	5	版本/New
1		2	3	4	5	D

品名 (PART NAME)	料号 (PART NO)	状态码
杜邦 2.54mm 180° SMT 双层排针 Connector Series	W2544SVJ-2xNP	C