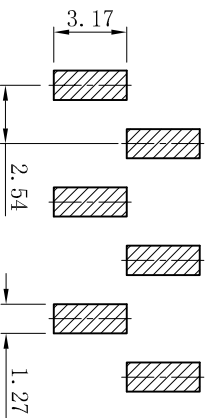
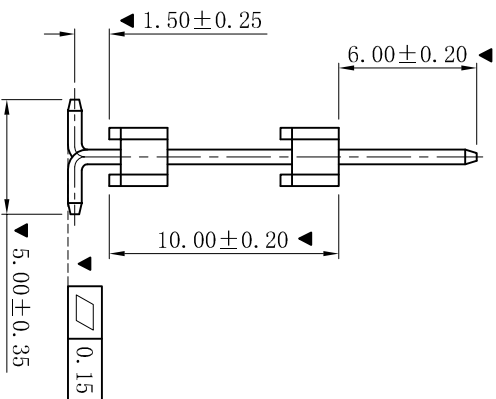
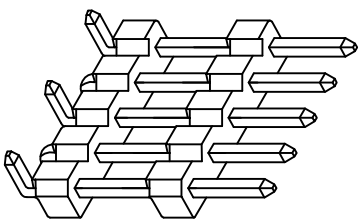
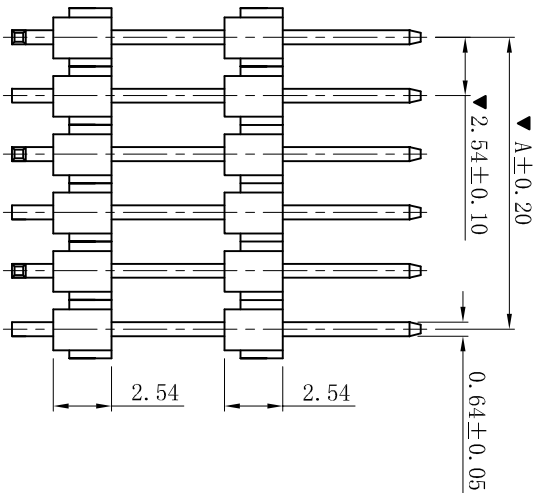
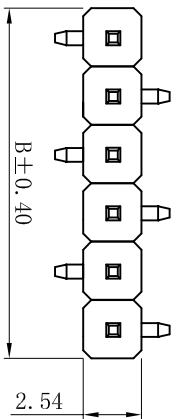


RoHS



P. C. B LAYOUT

■ SPECIFICATIONS

- Voltage rating: 250V AC, DC
- Current rating: 3A, AC, DC
- Withstanding Voltage: 1000V AC/minute
- Insulation resistance: 1000MΩ min
- Temperature range: -25°C ~ +85°C
- Contact resistance: 20mΩ max

■ WAFER

- Part No. : W2544SVJ-NP
- Poles : 01-40P
- Housing Material: PA6T UL94V-0 Black
- Pin Material : Brass
- Contact Area Plating: Gold-Flash
- The Dimension Marked “▼” Must Be Recorded

| Poles | Dimension (mm) | | Dimension (mm) | |
|-------|----------------|-------|----------------|-------|
| | A | B | A | B |
| 01 | — | 2.54 | 21 | 50.80 |
| 02 | 2.54 | 5.08 | 22 | 53.34 |
| 03 | 5.08 | 7.62 | 23 | 55.88 |
| 04 | 7.62 | 10.16 | 24 | 58.42 |
| 05 | 10.16 | 12.70 | 25 | 60.96 |
| 06 | 12.70 | 15.24 | 26 | 63.50 |
| 07 | 15.24 | 17.78 | 27 | 66.04 |
| 08 | 17.78 | 20.32 | 28 | 68.58 |
| 09 | 20.32 | 22.86 | 29 | 71.12 |
| 10 | 22.86 | 25.40 | 30 | 73.66 |
| 11 | 25.40 | 27.94 | 31 | 76.20 |
| 12 | 27.94 | 30.48 | 32 | 78.74 |
| 13 | 30.48 | 33.02 | 33 | 81.28 |
| 14 | 33.02 | 35.56 | 34 | 83.82 |
| 15 | 35.56 | 38.10 | 35 | 86.36 |
| 16 | 38.10 | 40.64 | 36 | 88.90 |
| 17 | 40.64 | 43.18 | 37 | 91.44 |
| 18 | 43.18 | 45.72 | 38 | 93.98 |
| 19 | 45.72 | 48.26 | 39 | 96.52 |
| 20 | 48.26 | 50.80 | 40 | 99.06 |

XYDZ® 东莞市祥运连接器有限公司
Dongguan XiangYun Connectors CO., Ltd

| | |
|-------------------------------|--|
| 一般公差 GENERAL TOLERANCE: | 0±0.30 .0±0.25 .00±0.20 .000±0.05 |
| ANGLE: ±1° | |

| | | |
|----------|------------|-----|
| 更新图面 | 2019-06-03 | 陈雄军 |
| 修打版本 | 2015-11-04 | 陈雄军 |
| 变更图宽格式内容 | 2013-12-27 | 陈雄军 |
| 新版本 | 2011-05-24 | 陈雄军 |

| | | | | |
|------------|---|-------------------|------------|--------------|
| 版次 REV. | 1 | 说明 DESCRIPTION | 日期 DATE | 承认 APPRO. |
|------------|---|-------------------|------------|--------------|

投影法



单位 Unit: MM
比例/Scale: 1:1
页码/SHEET: 1/1
版本/Rev: D

品名 (PART NAME): 杜邦 2.54mm 180° SMT 双层排针 Connector Series

料号 (PART NO): W2544SVJ-NP

状态码 C