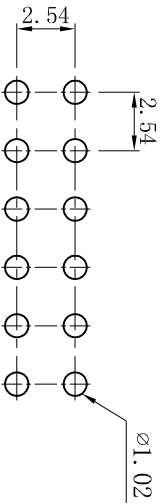
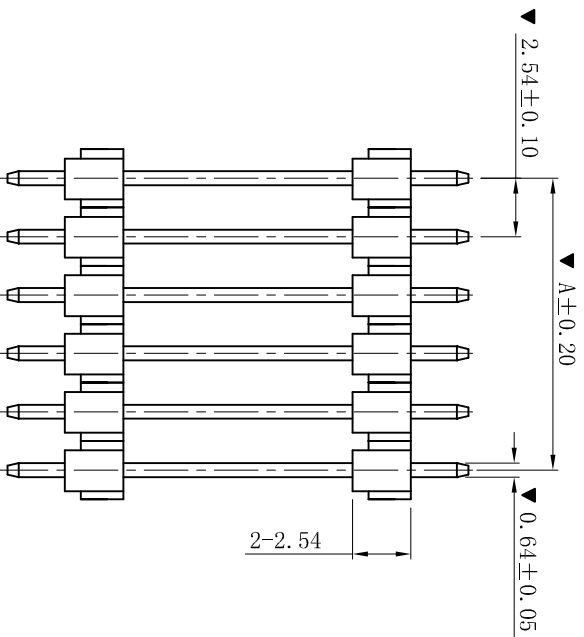
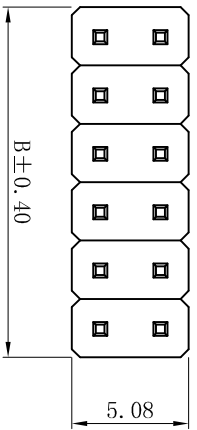
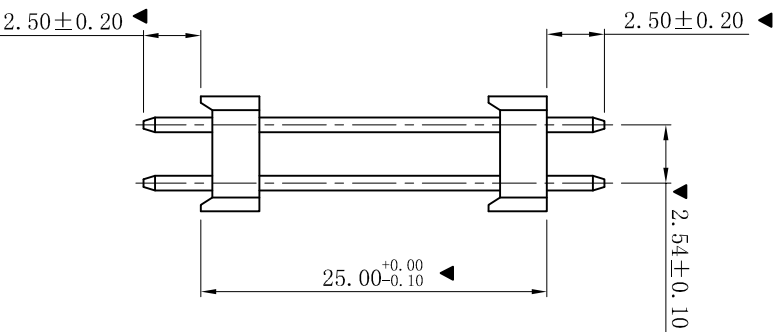


RoHS



P. C. B LAYOUT



- SPECIFICATIONS**
- Voltage rating: 250V AC, DC
  - Current rating: 3A, AC, DC
  - Withstanding Voltage: 1000V AC/minute
  - Insulation resistance: 1000M $\Omega$  min
  - Temperature range: -25 $^{\circ}$ C~+85 $^{\circ}$ C
  - Contact resistance: 20m $\Omega$  max
- WAFER**
- Part No.: W2544VJ-2xNP-S2.5-D2.5
  - Poles : 02-80P
  - Housing Material: PBT UL94V-0 Black
  - Pin Material: Brass
  - Contact Area Plating: Gold-Flash
  - The Dimension Marked “▲” Must Be Recorded

Poles	Dimension (mm)		Poles		Dimension (mm)	
	A	B	A	B	A	B
2x01	—	—	2x21	50.80	53.34	
2x02	2.54	5.08	2x22	53.34	55.88	
2x03	5.08	7.62	2x23	55.88	58.42	
2x04	7.62	10.16	2x24	58.42	60.96	
2x05	10.16	12.70	2x25	60.96	63.50	
2x06	12.70	15.24	2x26	63.50	66.04	
2x07	15.24	17.78	2x27	66.04	68.58	
2x08	17.78	20.32	2x28	68.58	71.12	
2x09	20.32	22.86	2x29	71.12	73.66	
2x10	22.86	25.40	2x30	73.66	76.20	
2x11	25.40	27.94	2x31	76.20	78.74	
2x12	27.94	30.48	2x32	78.74	81.28	
2x13	30.48	33.02	2x33	81.28	83.82	
2x14	33.02	35.56	2x34	83.82	86.36	
2x15	35.56	38.10	2x35	86.36	88.90	
2x16	38.10	40.64	2x36	88.90	91.44	
2x17	40.64	43.18	2x37	91.44	93.98	
2x18	43.18	45.72	2x38	93.98	96.52	
2x19	45.72	48.26	2x39	96.52	99.06	
2x20	48.26	50.80	2x40	99.06	101.60	

**XYDZ<sup>®</sup> 东莞市祥运连接器有限公司**  
 DongGuan XiangYun Connectors CO., Ltd

一般公差  
 GENERAL TOLERANCE:  
 ANGLE:  $\pm 1^{\circ}$

0 $\pm$ 0.30  
 .0 $\pm$ 0.25  
 .00 $\pm$ 0.20  
 .000 $\pm$ 0.05

投影法  
 Projection  
 单位 Unit  
 MM

品名  
 (PART NAME)  
 杜邦 2.54mm 180 $^{\circ}$  排针  
 Connector Series

料号  
 (PART NO)  
 W2544VJ-2xNP-S2.5-D2.5

状态码  
 C

审核/DR  
 陈雄军  
 审核/CHECK  
 陈雄军  
 批准/APPRO  
 胡进

日期/DATE  
 2019-06-03

更新图面  
 2019-06-03  
 修订版本  
 2015-11-04  
 变更图宽格式内容  
 2013-12-27  
 新版本  
 2011-05-24  
 说明  
 DESCRIPTION

日期/DATE  
 2019-06-03

日期/DATE  
 2019-06-03

日期/DATE  
 2019-06-03

日期/DATE  
 2019-06-03

日期/DATE  
 2019-06-03