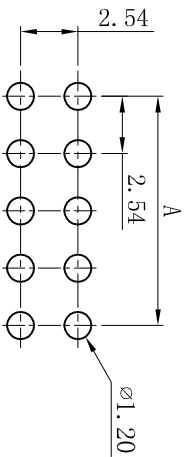
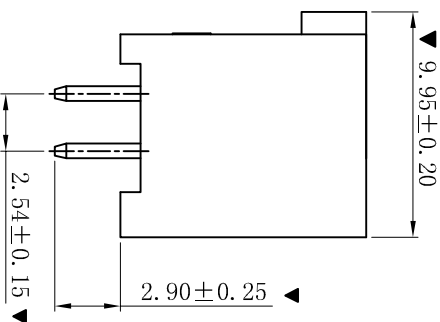
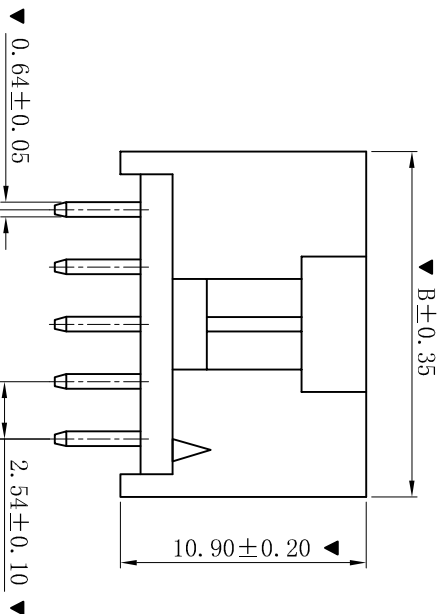
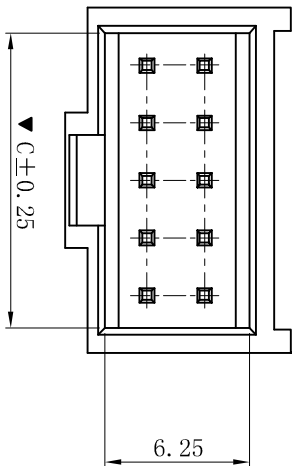


RoHS



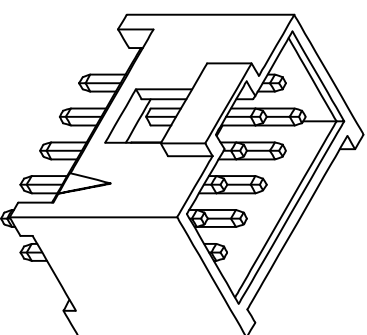
P. C. B LAYOUT

■ SPECIFICATIONS

- Voltage rating: 250V AC, DC
- Current rating: 3A, AC, DC
- Withstanding Voltage: 1500V AC/minute
- Insulation resistance: 1000MΩ min
- Temperature range: -25° C ~ +85° C
- Contact resistance: 20mΩ max

■ WAFER

- Part No. : W2549V-2xNP
- Poles : 06-40P
- Housing Material : PBT UL94V-0
- Pin Material : Brass
- Contact Area Plating : Tin-plated
- The Dimension Marked “▼” Must Be Recorded



Poles	Dimension (mm)		
	A	B	C
2x03	5.08	10.12	8.12
2x04	7.62	12.66	10.66
2x05	10.16	15.20	13.20
2x06	12.70	17.74	15.74
2x07	15.24	20.28	18.28
2x08	17.78	22.82	20.82
2x09	20.32	25.36	23.36
2x10	22.86	27.90	25.90
2x11	25.40	30.44	28.44
2x12	27.94	32.98	30.98
2x13	30.48	35.52	33.52
2x14	33.02	38.06	36.06
2x15	35.56	40.60	38.60
2x16	38.10	43.14	41.15
2x17	40.64	45.68	43.68
2x18	43.18	48.22	46.22
2x19	45.72	50.76	48.76
2x20	48.26	53.30	51.30

D	更新图面	2019-06-03	陈雄军
C	修订版本	2015-11-04	陈雄军
B	变更图宽格式内容	2013-12-27	陈雄军
A	新版本	2011-05-24	陈雄军
H	说明	日期	承认
1	版次	REV.	APPRO.
1	1	2	3
2	2	3	4
3	3	4	5
4	4	5	6
5	5	6	7
6	6	7	8
7	7	8	9
8	8	9	10

一般公差	0±0.30
GENERAL TOLERANCE:	.0±0.25
	.00±0.20
	.000±0.05
ANGLE:	±1°
绘图/DR	陈雄军
审核/CHECK	胡进
批准/APPRO	胡进
日期/DATE	2019-06-03

XYDZ® 东莞市祥运连接器有限公司
Dongguan XiangYun Connectors CO., Ltd

投影法: 单位: MM
比例/Scale: 1:1
大小/Size: A4
页码/Sheet: 1/1
版本/Rev: D

品名: 2.54mm 180° Wafer Connector Series
料号: W2549V-2xNP
状态码: C