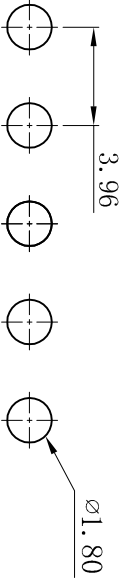
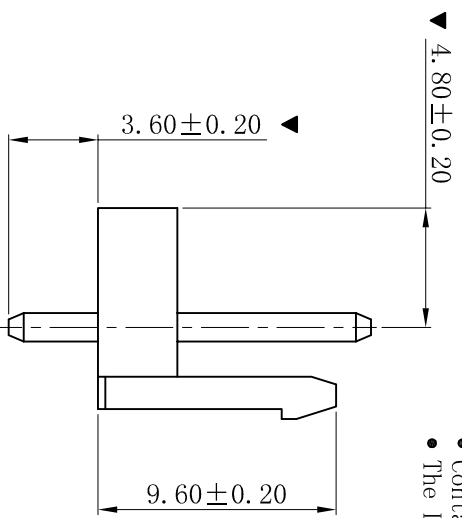
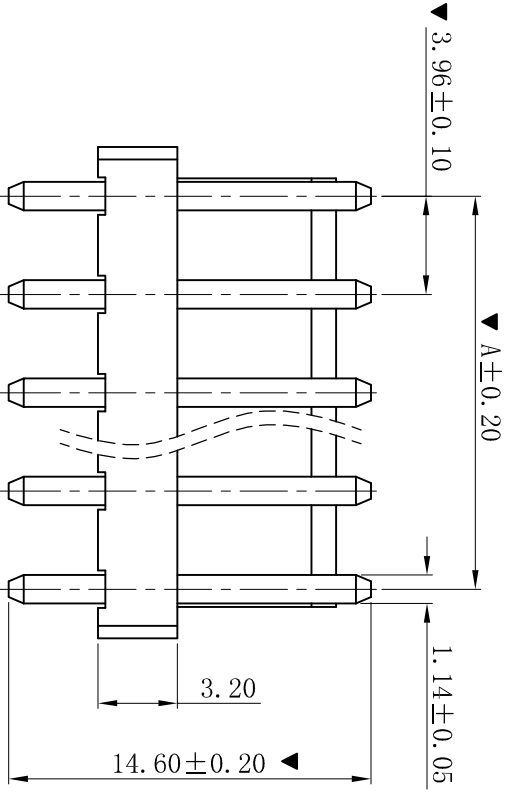
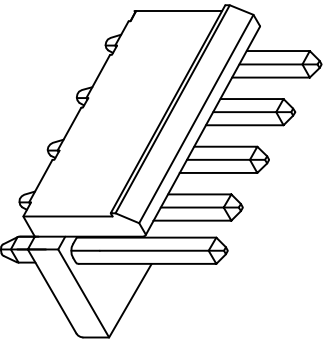
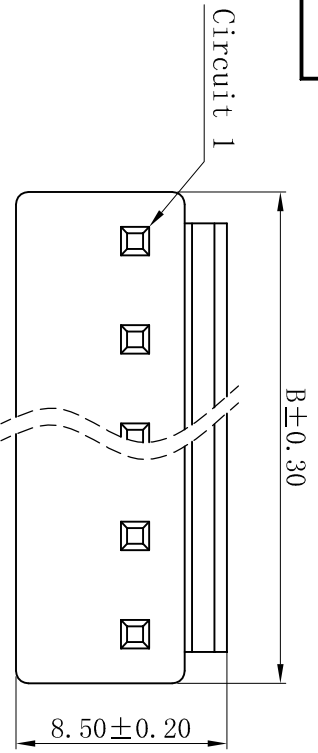


RoHS



P. C. B. LAYOUT

- SPECIFICATIONS
- Voltage rating: 250V AC, DC
  - Current rating: 7A, AC, DC
  - Withstanding Voltage: 1500V AC/minute
  - Insulation resistance: 1000MΩ min
  - Temperature range: -25° C ~ +85° C
  - Contact resistance: 20mΩ max
- WAFER
- Part No.: W3961V-NP-46
  - Poles : 02-08P
  - Housing Material: PA46 UL94V-0
  - Pin Material: Brass
  - Contact Area Plating: Tin-Plated
  - The Dimension Marked "▲" Must Be Recorded

| Poles | Dimensions (mm) |       |
|-------|-----------------|-------|
|       | A               | B     |
| 02    | 3.96            | 7.92  |
| 03    | 7.92            | 11.88 |
| 04    | 11.88           | 15.84 |
| 05    | 15.84           | 19.80 |
| 06    | 19.80           | 23.76 |
| 07    | 23.76           | 27.72 |
| 08    | 27.72           | 31.68 |

|   |            |            |                   |  |                                 |
|---|------------|------------|-------------------|--|---------------------------------|
| D | 更新图面       | 2019-06-03 | 陈雄军               | 一般公差<br>GENERAL TOLERANCE:<br>ANGLE: ±1° | 0±0.30<br>.0±0.25<br>.000±0.105 |
| C | 修打版本       | 2015-11-04 | 陈雄军               | 绘图/DR                                    | 陈雄军                             |
| B | 变更图览格式内容   | 2013-12-27 | 陈雄军               | 审核/CHCK                                  | 陈雄军                             |
| A | 新版本        | 2011-05-24 | 陈雄军               | 核准/APPRO                                 | 胡进                              |
| H | 版次<br>REV. | 1          | 说明<br>DESCRIPTION | 日期<br>DATE:                              | 承认<br>APPRO.                    |

**XYDZ® 东莞市祥运连接器有限公司**  
Dongguan XiangYun Connectors CO., Ltd

投影法  
Projection  
单位 Unit  
MM

品名  
(PART NAME)  
VH 3.96mm 180° Wafer  
Connector Series

料号  
(PART NO)  
W3961V-NP-46

状态码  
C