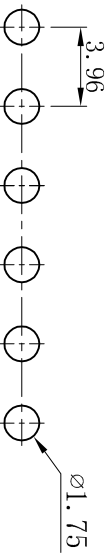
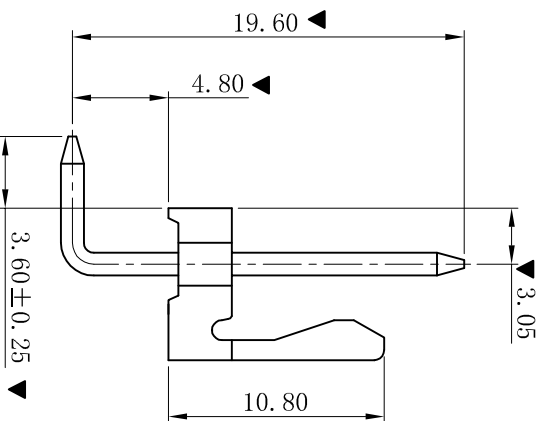
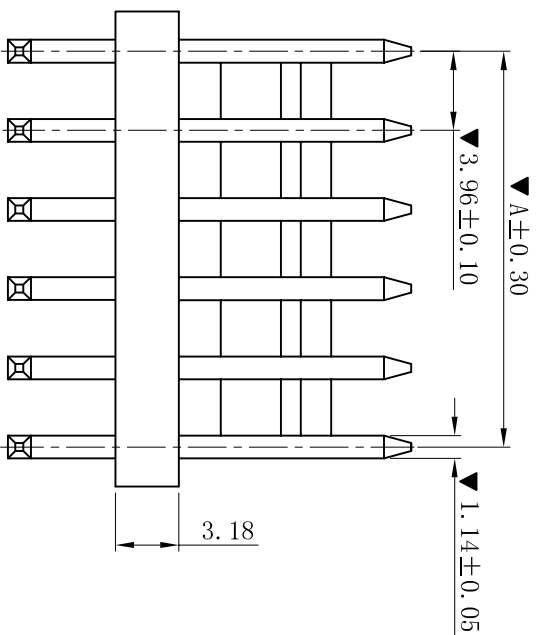
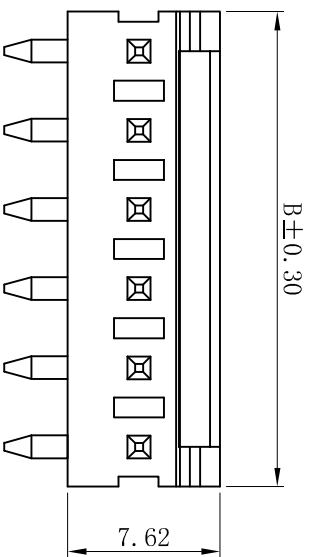


RoHS



P. C. B. LAYOUT

- SPECIFICATIONS
- Voltage rating: 250V AC, DC
 - Current rating: 5A, AC, DC
 - Withstanding Voltage: 1500V AC/minute
 - Insulation resistance: 1000MΩ min
 - Temperature range: -25° C +85° C
 - Contact resistance: 20mΩ max
- WAFER
- Part No. : W3965R-NP
 - Poles : 02-20P
 - Housing Material: PA66 UL94V-0
 - Pin Material: Brass
 - Contact Area Plating: Matte Tin-Plated
 - The Dimension Marked “▼” Must Be Recorded

Poles	Dimensions (mm)	
	A	B
02	3.96	7.92
03	7.92	11.88
04	11.88	15.84
05	15.84	19.80
06	19.80	23.76
07	23.76	27.72
08	27.72	31.68
09	31.68	35.64
10	35.64	39.60
11	39.60	43.56
12	43.56	47.52
13	47.52	51.48
14	51.48	55.44
15	55.44	59.40
16	59.40	63.36
17	63.36	67.32
18	67.32	71.28
19	71.28	75.24
20	75.24	79.20

一般公差 GENERAL TOLERANCE:	0±0.30 .00±0.25 .000±0.05
ANGLE: ±1°	

投影法 Projection	第一角投影 First Angle Projection
单位 Unit	MM
比例/Scale	1:1
大小/Size	A4
页码/SHEET	1/1
版本/Rev	A

XYDZ® 东莞市祥运连接器有限公司
Dongguan XiangYun Connectors CO., Ltd

绘图/DR	陈雄军
审核/CHECK	胡进
批准/APPRO	
日期/DATE	2019-05-10

品名 (PART NAME)	3.96mm 90° Wafer Connector Series
料号 (PART NO)	W3965R-NP
状态码	C

新版本	2019-05-10	PPZ Data
说明 DESCRIPTION	日期 DATE	承认 APPRO.

版本号	2019-05-10	PPZ Data
说明 DESCRIPTION	日期 DATE	承认 APPRO.

1 2 3 4 5 6 7 8 9 10