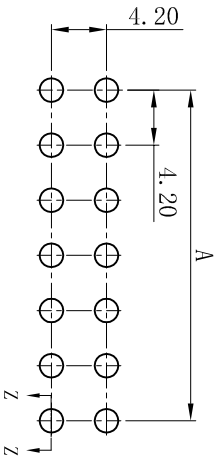
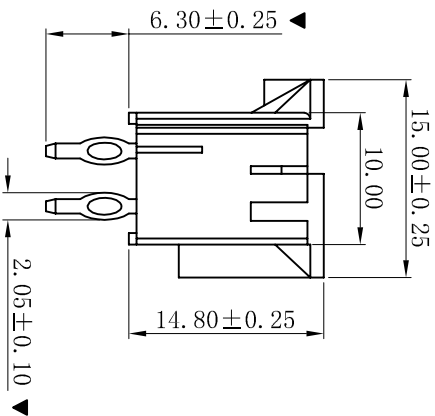
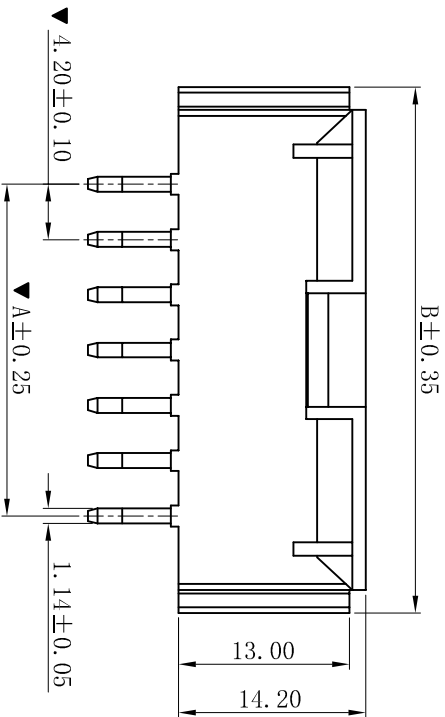
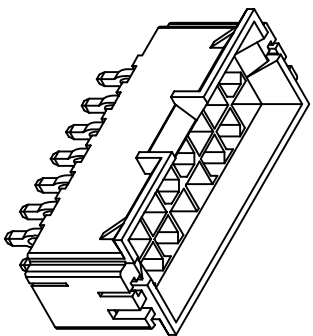
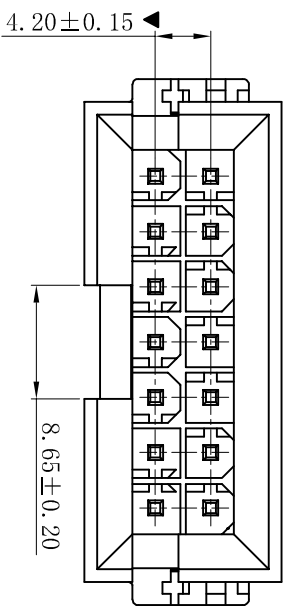
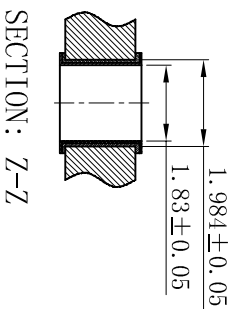


RoHS



P. C. B LAYOUT



■ SPECIFICATIONS

- Voltage rating: 600V AC, DC
- Current rating: 7A, AC, DC
- Withstanding Voltage: 1500V AC/minute
- Insulation resistance: 1000MΩ min
- Temperature range: -25° C +85° C
- Contact resistance: 20mΩ max

■ WAFER

- Part No. : W4201V7Y-2xNP
- Poles : 04-24P
- Housing Material: PA66 UL94V-2 or UL94V-0
- Pin Material: Brass
- Contact Area Plating: Tin-Plated or Gold-Flash
- The Dimension Marked “▼” Must Be Recorded

Part No.	Dimensions (mm)	
	A	B
2x02	4.20	19.00
2x03	8.40	23.20
2x04	12.60	27.40
2x05	16.80	31.60
2x06	21.00	35.80
2x07	25.20	40.00
2x08	29.40	44.20
2x09	33.60	48.40
2x10	37.80	52.60
2x11	42.00	56.80
2x12	46.20	61.00

XYDZ® 东莞市祥运连接器有限公司
Dongguan XiangYun Connectors CO., Ltd

一般公差 GENERAL TOLERANCE:	0±0.30 .00±0.25 .000±0.05
绘图/DR	陈雄军
审核/CHECK	胡进
批准/APPRO	胡进
日期/DATE	2019-07-03

Connectors

品名 (PART NAME)
Molex 4.20mm 180° Compliant Pin Interface Wafer Connector Series

料号 (PART NO)
W4201V7Y-2xNP

状态码 C

投影法	MM
单位 Unit	1:1
比例/Scale	A4
大小/Size	1/1
页码/Sheet	B
版本/Rev	

日期/DATE	2019-05-11	陈雄军	承认
日期/DATE	2019-07-03	胡进	批准

说明	新版本
DESCRIPTION	新版本

版次	说明
REV.	DESCRIPTION

1	2	3	4	5	6	7	8	9	10
---	---	---	---	---	---	---	---	---	----