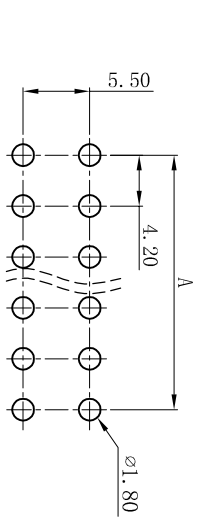
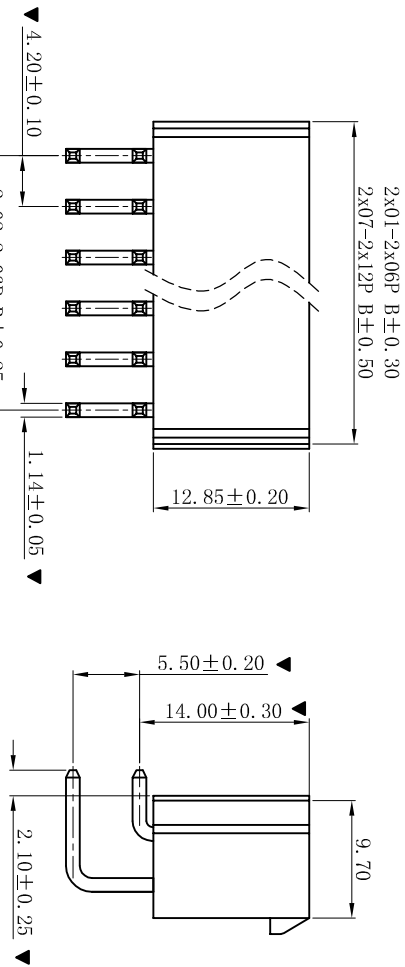
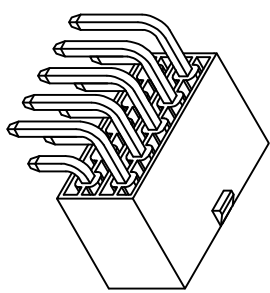
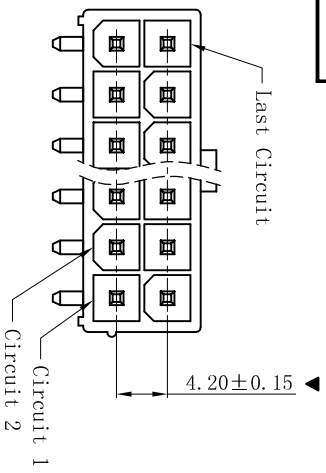
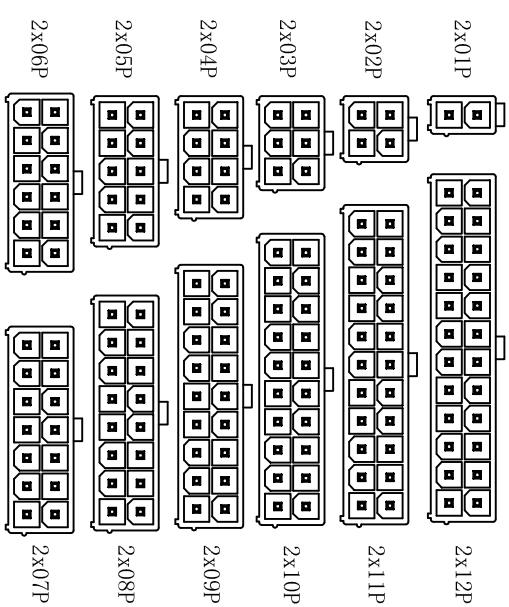


ROHS HF



- SPECIFICATIONS**
- Voltage rating: 600V AC, DC
  - Current rating: 7A, AC, DC
  - Withstanding Voltage: 1500V AC/minute
  - Insulation resistance: 1000MΩ min
  - Temperature range: -25° C~+85° C
  - Contact resistance: 20mΩ max
- WAFER**
- Part No.: W4202R-2xNP-6THF-WL2.1
  - Poles : 02-24P
  - Housing Material: PA6T+30%G.F UL94V-0, Beige, HALOGEN FREE
  - Pin Material: Brass
  - Contact Area Plating: Tin-Plated
  - Mates With: H4201 dual row receptacle
  - The Dimension Marked “▼” Must Be Recorded



Poles	Dimensions (mm)	
	A	B
2x01	---	5.60
2x02	4.20	9.80
2x03	8.40	14.00
2x04	12.60	18.20
2x05	16.80	22.40
2x06	21.00	26.60
2x07	25.20	30.80
2x08	29.40	35.00
2x09	33.60	39.20
2x10	37.80	43.40
2x11	42.00	47.60
2x12	46.20	51.80

CIRCUIT SIZE LAYOUT

D	更新图面	2019-06-03	陈雄军							
C	修订版本	2015-11-04	陈雄军							
B	变更图宽格式内容	2013-12-27	陈雄军							
A	新版本	2011-05-24	陈雄军							
H	版次 RRV.	说明 DESCRIPTION	承认 APPRO.							
1	1	2	3	4	5	6	7	8	9	10

一般公差 GENERAL TOLERANCE:	0±0.30 -0±0.25 .00±0.20 .000±0.05	投影法 Projection	品名 (PART NAME)	Mollex 4.20mm 90° Wafer Connector Series	状态码
角度: ±1°		单位 Unit	料号 (PART NO)	W4202R-2xNP-6THF-WL2.1	C
绘图/DR	陈雄军	比例/Scale	东莞市祥运连接器有限公司 Dongguan XiangYun Connector s CO., Ltd		
审核/CHK	陈雄军	大小/Size			
核准/APPRO	胡进	页码/SHEET			
日期/DATE	2019-07-03	版本/Rev			