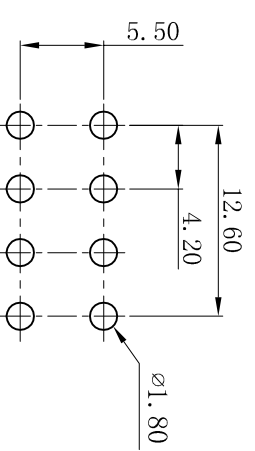
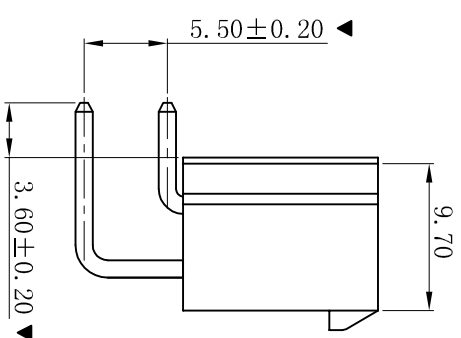
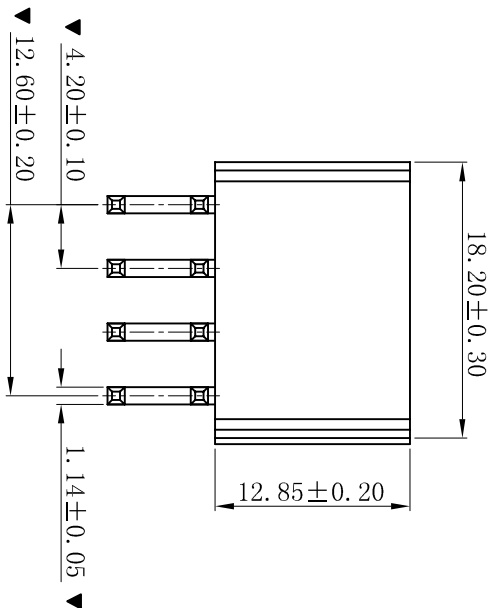
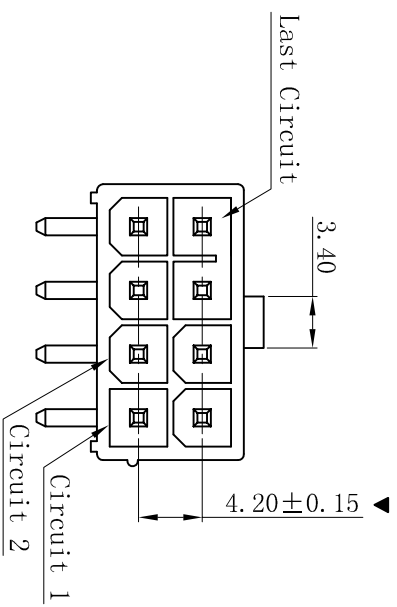


RoHS



P.C.B LAYOUT

- SPECIFICATIONS**
- Voltage rating: 600V AC, DC
  - Current rating: 7A, AC, DC
  - Withstanding Voltage: 1500V AC/minute
  - Insulation resistance: 1000MΩ min
  - Temperature range: -25°C~+85°C
  - Contact resistance: 20mΩ max
- WAFER**
- Part No.: W4202RLKX-2x04P-BK
  - Poles: 08P
  - Housing Material: PA66 UL94V-2 Black
  - Pin Material: Brass
  - Contact Area Plating: Tin-Plated
  - Mates With: H4201 dual row receptacle
  - The Dimension Marked “▼” Must Be Recorded

更新图面		2019-07-03	陈雄军	一般公差 GENERAL TOLERANCE: 0±0.30 .0±0.25 .000±0.20 ANGLE: ±1°		投影法 Projection MM		品名 (PART NAME) Molex 4.20mm 90° 七八连体 Wafer Connector Series		料号 (PART NO) W4202RLKX-2x04P-BK		状态码 C							
修订版本		2015-11-04	陈雄军	绘图/DR 陈雄军		单位 Unit MM		(PART NAME)		W4202RLKX-2x04P-BK									
变更图宽格式内容		2013-12-27	陈雄军	审核/CHECK 陈雄军		比例/Scale 1:1				W4202RLKX-2x04P-BK									
新版本		2011-05-24	陈雄军	核准/APPRO 胡进		大小/Size A4				W4202RLKX-2x04P-BK									
说明		日期	承认	日期/DATE		页码/Sheet				W4202RLKX-2x04P-BK									
DESCRPTION		DATE	APPRO	2019-07-03		版本/Rev				W4202RLKX-2x04P-BK									
1		2		3		4		5		6		7		8		9		10	

**XYDZ® 东莞市祥运连接器有限公司**  
Dongguan XiangYun Connectors CO., Ltd