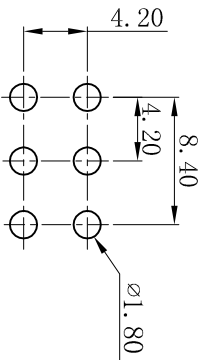
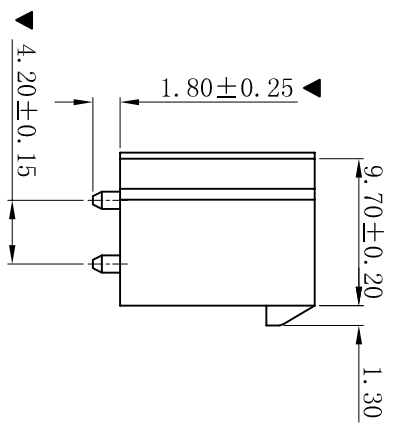
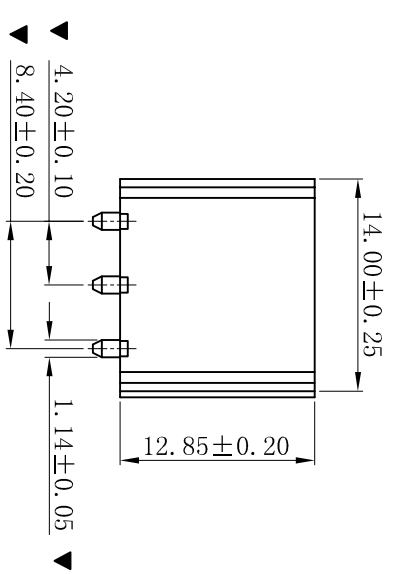
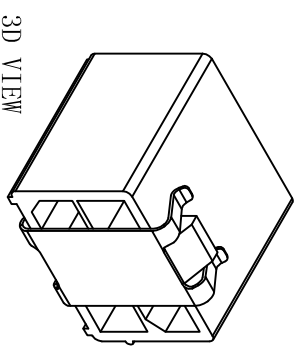
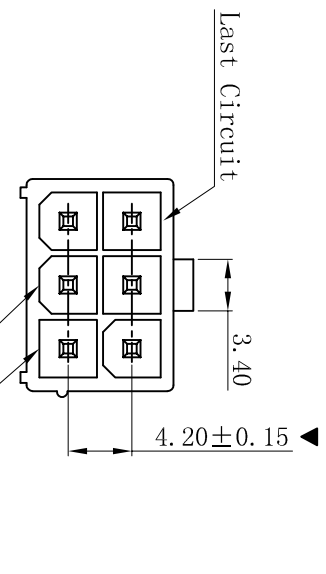


RoHS

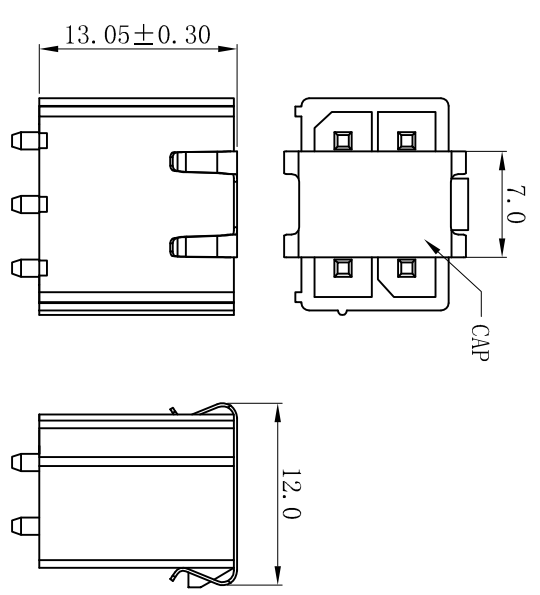


P. C. B LAYOUT: TOP VIEW
TOLERANCE: ±0.05mm

■ SPECIFICATIONS

- Voltage rating: 600V AC, DC
 - Current rating: 11A, AC, DC
 - Withstanding Voltage: 1500V AC/minute
 - Insulation resistance: 1000MΩ min
 - Temperature range: -25° C ~ +85° C
 - Contact resistance: 20mΩ max
- WAFER
- Part No.: W4202V-2x03P-LP-WL1.8-H
 - Poles: 06P
 - Housing Material: LCP UL94V-0, Natural color.
 - Pin Material: High Conductivity Copper
 - Contact Area Plating: Tin-Plated
 - Mates With: H4201 dual row receptacle
 - The Dimension Marked “▲” Must Be Recorded

WITH CAP VIEW



更新图档		2019-07-03	段平会	承认	一般公差		0±0.30
新版本		2018-08-14	段平会	承认	GENERAL TOLERANCE:		.00±0.25
说明		日期	日期	日期	ANGLE: ±1°		.000±0.05
DESCRPTION		DATE:	DATE:	DATE:	APPRO.		

XYDZ® 东莞市祥运连接器有限公司
Dongguan XiangYun Connectors CO., Ltd

投影法 Projection	第一角	品名 (PART NAME)	Mollex 4.20mm 180° Wafer
单位 Unit	MM	料号 (PART NO)	W4202V-2x03P-LP-WL1.8-11
比例/Scale	1:1	状态码	C
大小/Size	A4		
页码/Sheet	1/1		
版本/Rev	B		