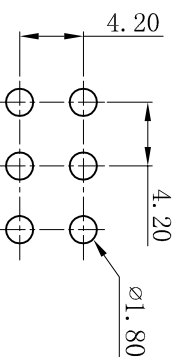
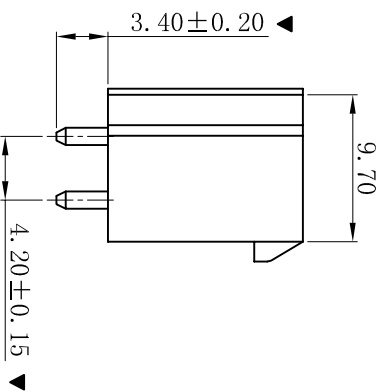
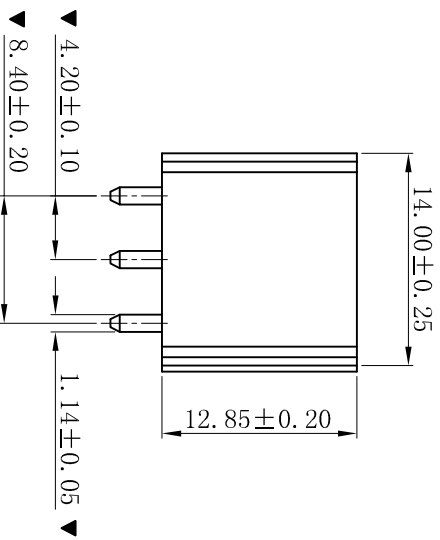
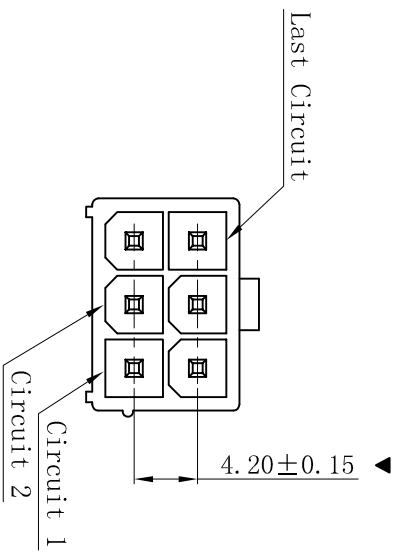


RoHS



P.C.B LAYOUT

■ SPECIFICATIONS

- Voltage rating: 600V AC, DC
- Current rating: 7A, AC, DC
- Withstanding Voltage: 1500V AC/minute
- Insulation resistance: 1000MΩ min
- Temperature range: -25° C~+85° C
- Contact resistance: 20mΩ max

■ WAFER

- Part No. : W4202V-2x03P-PCI-BK
- Poles: 06P
- Housing Material: PA66 UL94V-2 Black
- Pin Material: Brass
- Contact Area Plating: Tin-Plated or Gold-Flash
- The Dimension Marked "▼" Must Be Recorded

更新图档		2019-07-03	陈雄军		更新图档		0±0.30 -0.00±0.25 .000±0.20 ANGLE: ±1°		XYDZ® 东莞市祥运连接器有限公司 Dongguan XiangYun Connectors CO., Ltd		投影法 Connector's		品名 (PART NAME)		料号 (PART NO)		状态码	
修订版本		2015-11-04	陈雄军		修订版本		0±0.30 -0.00±0.25 .000±0.20 ANGLE: ±1°		Molex 4.20mm 180° PCI		Mo		W4202V-2x03P-PCI-BK		C			
变更图宽格式内容		2013-12-27	陈雄军		变更图宽格式内容		0±0.30 -0.00±0.25 .000±0.20 ANGLE: ±1°		Wafer Connector Series		Wa							
新版本		2011-05-24	陈雄军		新版本		0±0.30 -0.00±0.25 .000±0.20 ANGLE: ±1°		Molex 4.20mm 180° PCI		Mo		W4202V-2x03P-PCI-BK		C			
说明		2011-05-24	陈雄军		说明		0±0.30 -0.00±0.25 .000±0.20 ANGLE: ±1°		Molex 4.20mm 180° PCI		Mo		W4202V-2x03P-PCI-BK		C			
DESCRPTION		2011-05-24	陈雄军		DESCRPTION		0±0.30 -0.00±0.25 .000±0.20 ANGLE: ±1°		Molex 4.20mm 180° PCI		Mo		W4202V-2x03P-PCI-BK		C			
版次		2011-05-24	陈雄军		版次		0±0.30 -0.00±0.25 .000±0.20 ANGLE: ±1°		Molex 4.20mm 180° PCI		Mo		W4202V-2x03P-PCI-BK		C			
REV.		2011-05-24	陈雄军		REV.		0±0.30 -0.00±0.25 .000±0.20 ANGLE: ±1°		Molex 4.20mm 180° PCI		Mo		W4202V-2x03P-PCI-BK		C			