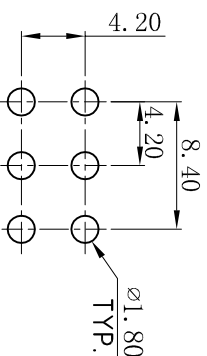
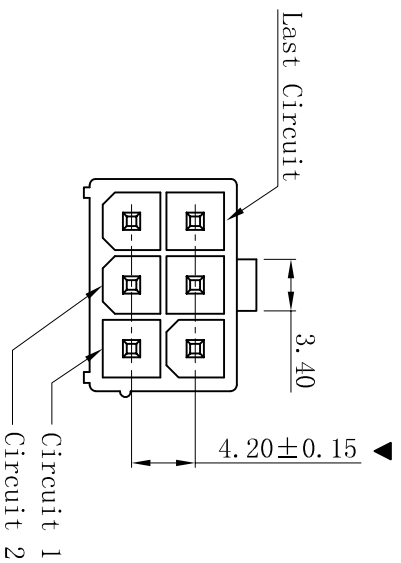
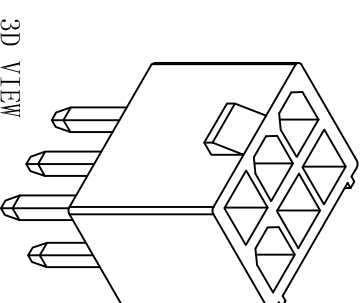
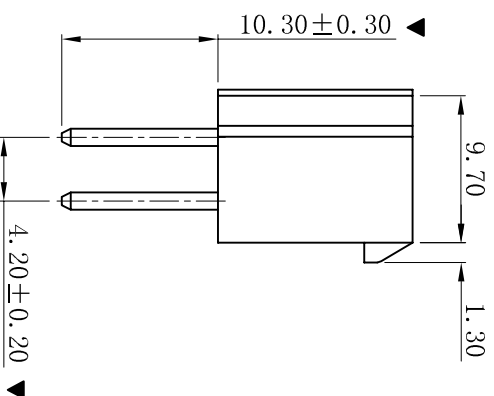
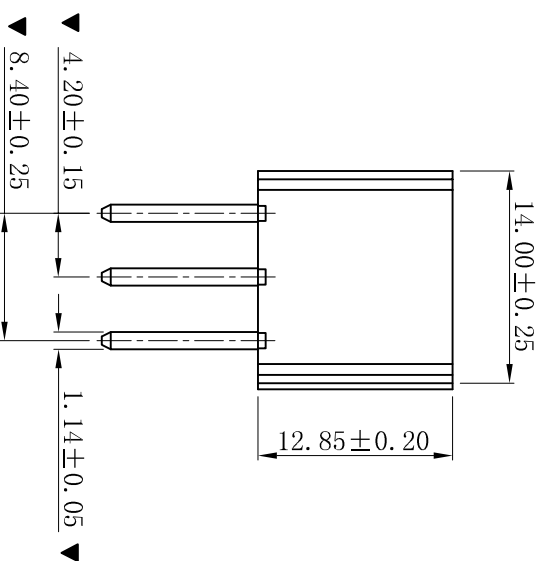


RoHS



P.C.B LAYOUT: TOP VIEW
TOLERANCE: ±0.05mm

- SPECIFICATIONS
- Voltage rating: 600V AC, DC
 - Current rating: 7A, AC, DC
 - Withstanding Voltage: 1500V AC/minute
 - Insulation resistance: 1000MΩ min
 - Temperature range: -25°C~+85°C
 - Contact resistance: 20mΩ max
- WAFER
- Part No.: W4202V-2x03P-WL10.3
 - Poles: 06P
 - Housing Material: PA66 UL94V-2
 - Pin Material: Brass
 - Contact Area Plating: Tin-Plated
 - Mates With: H4201 dual row receptacle
 - The Dimension Marked “▼” Must Be Recorded



3D VIEW

更新图档		2019-07-03	PPZ Dawu		
新版本		2018-08-24	PPZ Dawu		
说明		日期	承认		
DESCRPTION		DATE:	APPRO.		

一般公差	0±0.30
GENERAL TOLERANCE:	.00±0.25
	.000±0.05
ANGLE: ±1°	

投影法		Connector's		品名		Molex 4.20mm 180° Wafer	
单位 Unit		MM		(PART NAME)		Connector Series	
比例/Scale		1:1		料号		W4202V-2x03P-WL10.3	
大小/Size		A4		(PART NO)			
页码/Sheet		1/1		版本号		C	
版本/Rev		B		XYPDZ® 东莞市祥运连接器有限公司		Dongguan XiangYun Connector's CO., Ltd	