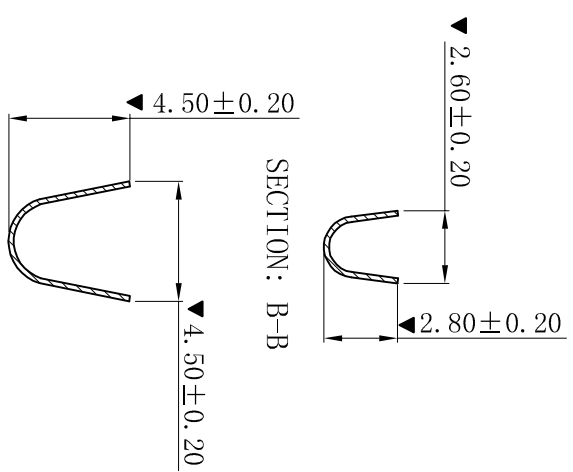
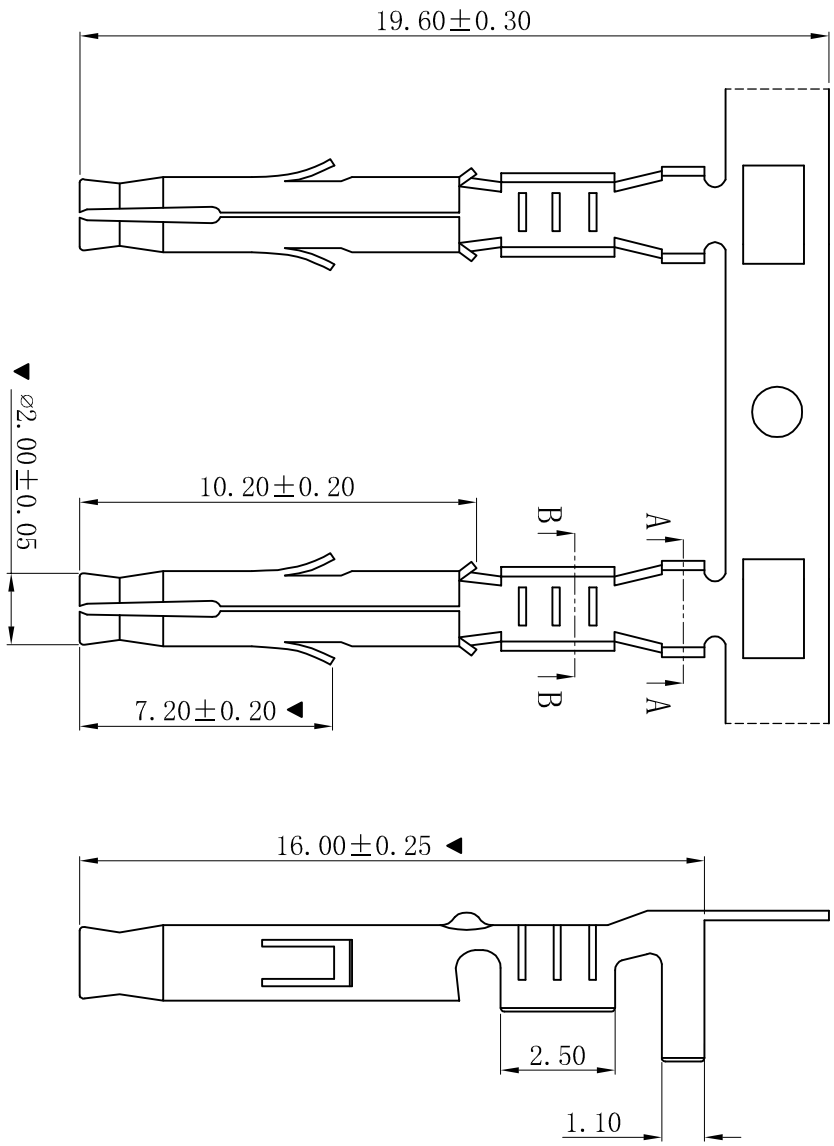


RoHS



- SPECIFICATIONS
- Voltage rating: 300V AC, DC
- Current rating: 10A, AC, DC
- Withstanding Voltage: 1500V AC/minute
- Temperature range: -25° C~+85° C
- Contact resistance: 20mΩ max
- TERMINAL
- Part No. : T4502PT
- Applicable wire: AWG#16-#24
- Material: Phosphor Bronze
- Finish: Tin-Plated
- The Dimension Marked “▼” Must Be Recorded

更新图面		2019-06-03	陈雄军		一般公差 GENERAL TOLERANCE:		0±0.30	XYDZ® 东莞市祥运连接器有限公司 Connectors Dongguan XiangYun Connectors CO., Ltd		投影法 Projection		品名 (PART NAME)		EL4.50mm Female Terminal Connector Series	
修訂版本		2015-11-04	陈雄军		.00±0.25		.00±0.25	Dongguan XiangYun Connectors CO., Ltd		单位 Unit		(PART NAME)		料号 (PART NO)	
变更图宽格式内容		2013-12-27	陈雄军		.000±0.05		.000±0.05	Dongguan XiangYun Connectors CO., Ltd		比例/Scale		(PART NAME)		T4502PT	
新版本		2011-05-24	陈雄军		ANGLE: ±1°		ANGLE: ±1°	Dongguan XiangYun Connectors CO., Ltd		大小/Size		(PART NAME)		状态码	
说明		日期	承认		DATE:		DATE:	Dongguan XiangYun Connectors CO., Ltd		页码/SHEET		(PART NAME)		C	
DESCRPTION		日期	承认		DATE:		DATE:	Dongguan XiangYun Connectors CO., Ltd		版本/Rev		(PART NAME)		C	