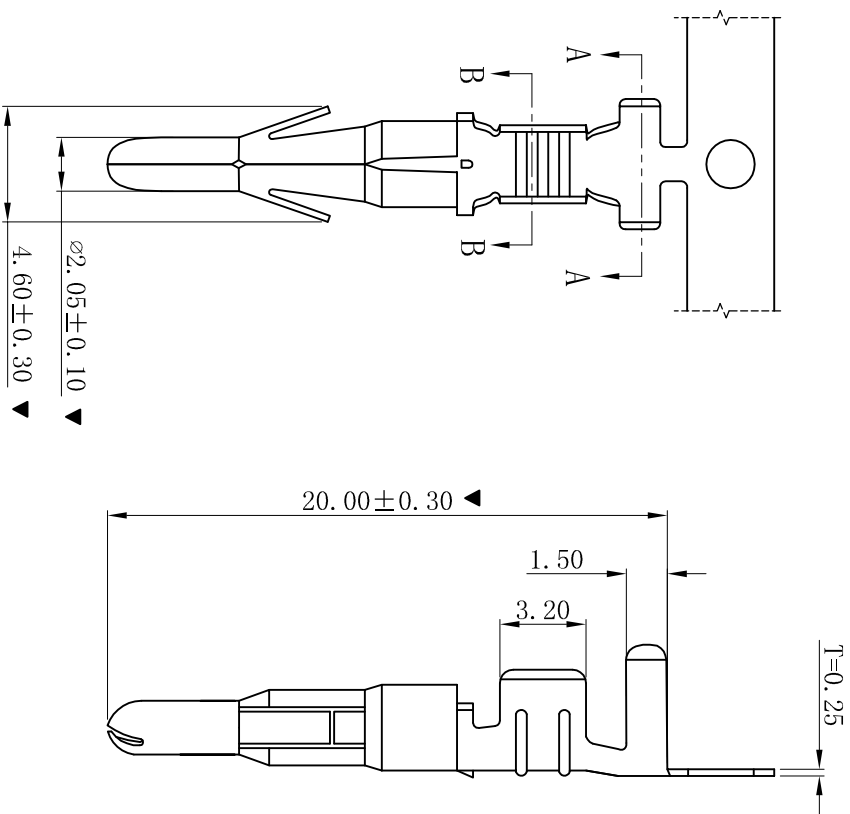


ROHS



SECTION: A-A

SECTION: B-B

- SPECIFICATIONS
 - Voltage rating: 250V AC, DC
 - Current rating: 7A, AC, DC
 - Withstanding Voltage: 1500V AC/minute
 - Temperature range: -25° C~+85° C
 - Contact resistance: 20mΩ max
- TERMINAL
 - Part No.: T6201BT
 - Applicable wire: AWG#14-#20
 - Material: Brass
 - Finish: Tin-Plated
 - The Dimension Marked “▼” Must Be Recorded

| | | | | | | | | | | | | | | |
|------|--|------------|-----|--|--|---|--|------------------------------------|--|--|--|----------------------------|--|----------|
| 更新图面 | | 2019-06-03 | 陈雄军 | 一般公差 GENERAL TOLERANCE: 0±0.30 .0±0.25 .000±0.05 ANGLE: ±1° | | XYDZ® 东莞市祥运连接器有限公司 Connectors Dongguan XiangYun Connectors CO., Ltd | | 投影法 Projection 单位 Unit MM | | 品名 (PART NAME) L6.20mm Male Terminal Connector Series | | 料号 (PART NO) T6201BT | | 状态码 C |
| 修订图面 | | 2015-11-04 | 陈雄军 | 绘图/DR 审核/CHECK 核准/APPRO | | 陈雄军 陈雄军 胡进 | | 大小/SCALE 1:1 | | | | | | |
| 新图面 | | 2011-05-24 | 陈雄军 | 日期 DATE: | | 承认 APPRO. | | 页码/SHEET 1/1 | | | | | | |
| 说明 | | 说明 | | 日期 | | 承认 | | 页码/Sheet | | | | | | |
| 版次 | | 版次 | | 日期 | | 承认 | | 页码/Sheet | | | | | | |
| REV. | | REV. | | DATE: | | APPRO. | | REV | | | | | | |