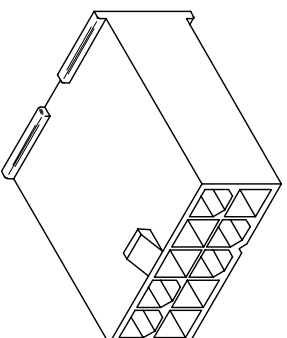
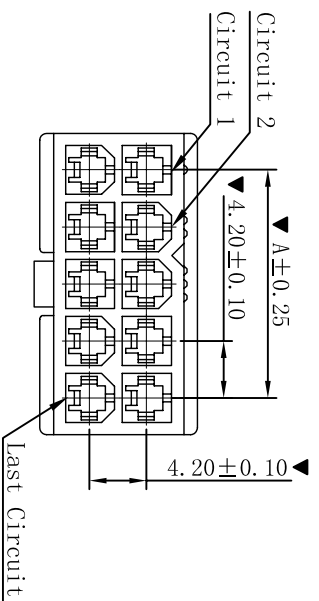


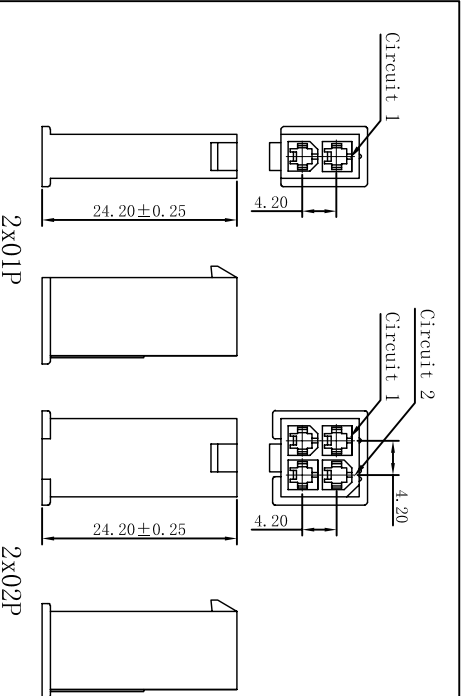
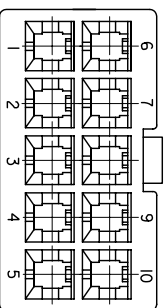
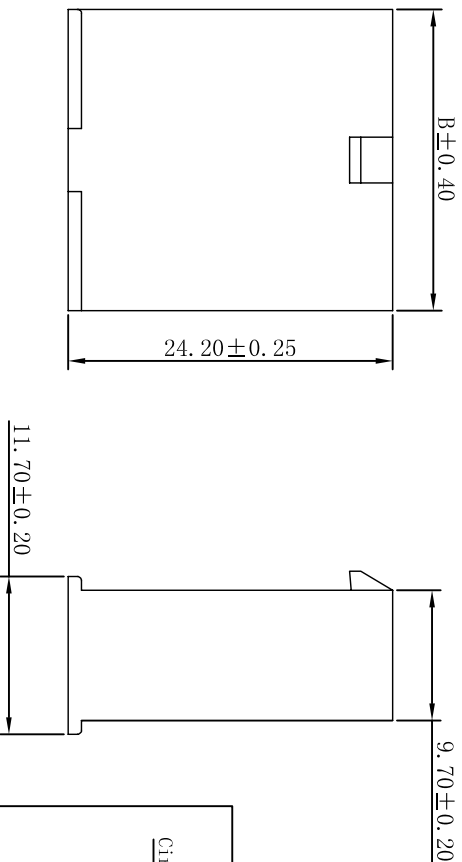
RoHS



- SPECIFICATIONS
- Voltage rating: 600V AC, DC
  - Current rating: 7A, AC, DC
  - Withstanding Voltage: 1500V AC/minute
  - Insulation resistance: 1000MΩ min
  - Temperature range: -25 °C +85 °C
  - Contact resistance: 20mΩ max
- HOUSING
- Part No. : H4202NE-2xNP-XX
  - Poles: 2x01P 2x04P
  - Housing Material: Nylon66 UL94V-2 or UL94V-0
  - Mates With: H4201 dual row receptacle
  - Use With: T4201 terminals
  - The Dimension Marked “▼” Must Be Recorded

H4202NE-2xNP-XX

None: P466-V2 Natural  
BK: P466-V2 Black  
V0: P466-V0 Natural  
V0BK: P466-V0 Black



PART NO.	Dimensions (mm)	
	A	B
2x01	--	5.60
<del>2x02</del>	4.20	9.80
2x03	8.40	14.00
2x04	12.60	18.20
2x05	16.80	22.40
2x06	21.00	26.60
2x07	25.20	30.80
2x08	29.40	35.00
2x09	33.60	39.20
2x10	37.80	43.40
2x11	42.00	47.60
2x12	46.20	51.80

C	修订版本	2015-11-04	陈雄军
B	变更图章格式内容	2013-12-27	陈雄军
A	新版本	2011-05-24	陈雄军
H	说明	日期	承认
1	DESCRIPTION	DATE	APPRO.

一般公差	0 ± 0.30
GENERAL TOLERANCE:	.00 ± 0.25
	.000 ± 0.05
	ANGLE: ± 1°
绘图/DR	陈雄军
审核/CHECK	胡进
核准/APPRO	MR. feng
日期/DATE	2015-11-04

<p><b>XYDZ® 东莞市祥运连接器有限公司</b> Dongguan XiangYun Connectors CO., Ltd</p>	
投影法 Projection	品名 (PART NAME)
MM	MX4.20mm Female Housing
单位 Unit	Connector Series
比例/Scale	
1:1	
大小/SIZE	料号 (PART NO)
A4	H4202NE-2xNP-XX
页码/SHEET	
1/1	
版本/Rev	
C	