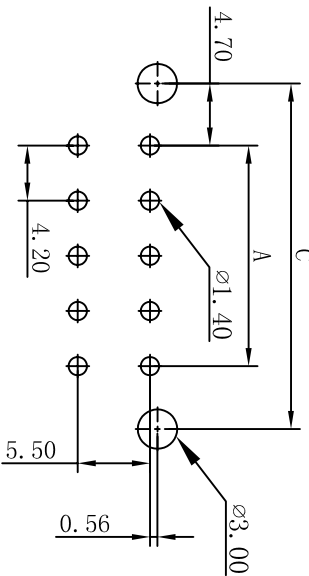
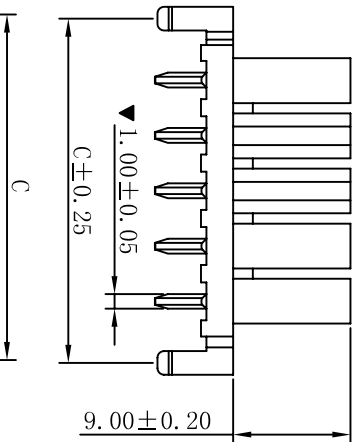
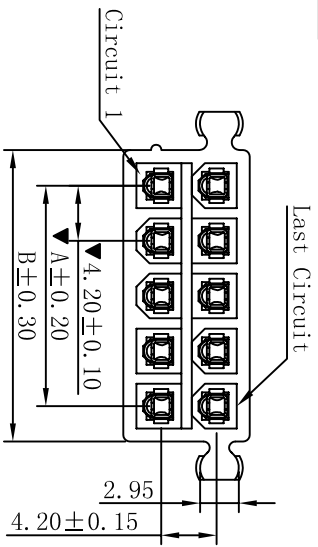
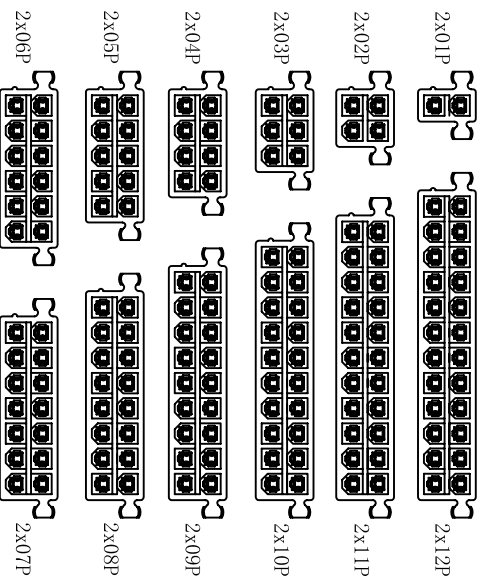
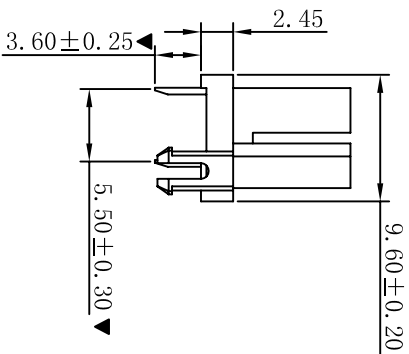
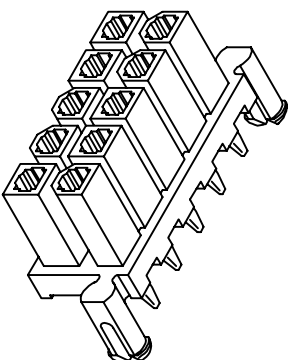


RoHS



PCB LAYOUT: Component Side
Recommended PCB Thickness 1.78MMX



CIRCUIT SIZE LAYOUT

- SPECIFICATIONS
- Voltage rating: 600V AC, DC
 - Current rating: 7A, AC, DC
 - Withstanding Voltage: 1500V AC/minute
 - Insulation resistance: 1000MΩ min
 - Temperature range: -25° C~+85° C
 - Contact resistance: 20mΩ max
- WAFER
- Part No. : W4201VTD-2xNP-SW
 - Poles : 02-24P
 - Housing Material: Nylon66 UL94V-0 COLOR NATURAL
 - Pin Material: Brass
 - Contact Area Plating: Tin Plating Fog
 - Mates With: H4202L plug, W4202LRD headers
 - The Dimension Marked "▲" Must Be Recorded

PART NO.	Dimensions(mm)		
	A	B	C
2x01	/	5.40	9.40
2x02	4.20	9.60	13.60
2x03	8.40	13.80	17.80
2x04	12.60	18.00	22.00
2x05	16.80	22.20	26.20
2x06	21.00	26.40	30.40
2x07	25.20	30.60	34.60
2x08	29.40	34.80	38.80
2x09	33.60	39.00	43.00
2x10	37.80	43.20	47.20
2x11	42.00	47.40	51.40
2x12	46.20	51.60	55.60

XYDZ® 东莞市祥运连接器有限公司
Dongguan XiangYun Connectors CO., Ltd

一般公差 GENERAL TOLERANCE:	0±0.30 .00±0.25 .000±0.05
角度	ANGLE: ±1°

Connectors



品名 (PART NAME) MX4. 20mm 180° Wafer
连接器系列 (PART NO) Connector Series

修订版本		2015-11-04	陈雄军	绘图/DR	陈雄军	投影法	MM	品名	MX4. 20mm 180° Wafer
变更图宽格式内容		2013-12-27	陈雄军	审核/CHECK	胡进	单位	1:1	(PART NAME)	Connector Series
新版本		2011-05-24	陈雄军	核准/APPRO	MR. feng	比例/Scale	A4	料号	W4201VTD-2xNP-SW
说明		日期	承认	日期/DATE	2015-11-04	页码/SHEET	1/1	(PART NO)	
DESCRIPTION		DATE	APPRO.	日期/DATE	2015-11-04	版本/rev	C		