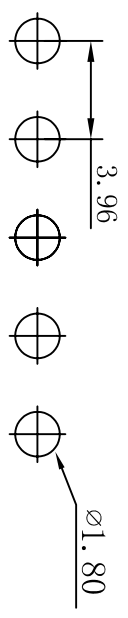
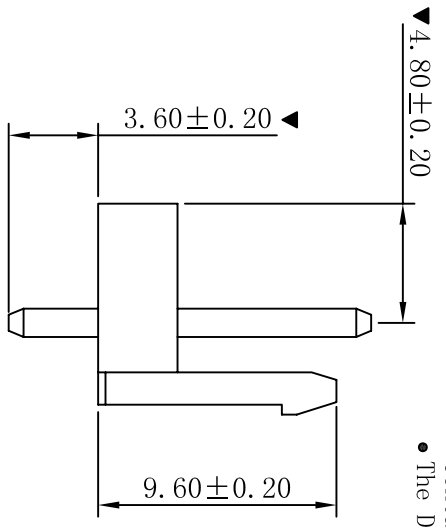
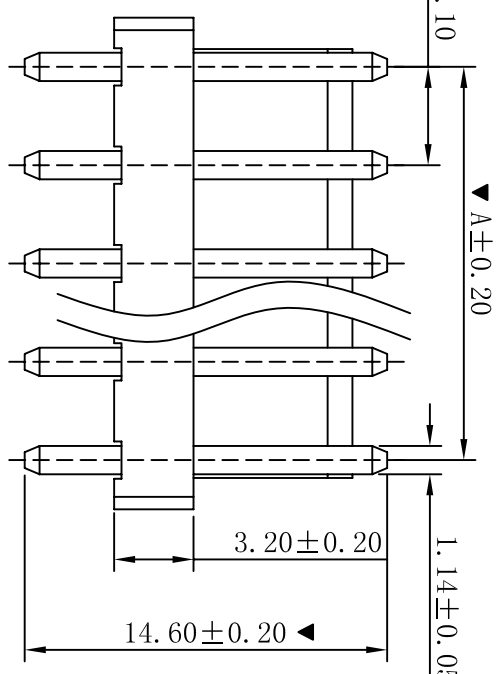
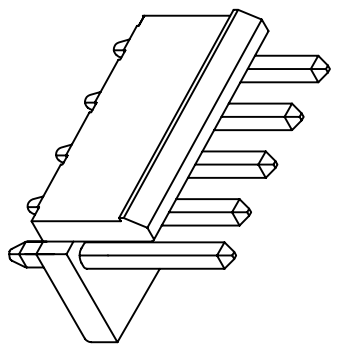
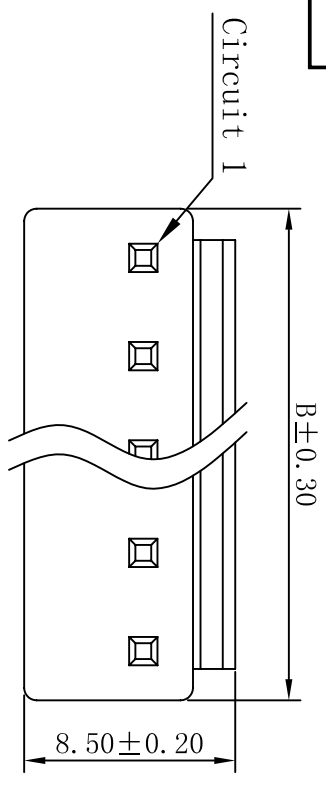


ROHS



P. C. B. LAYOUT

- SPECIFICATIONS**
- Voltage rating: 250V AC, DC
 - Current rating: 7A, AC, DC
 - Withstanding Voltage: 1500V AC/minute
 - Insulation resistance: 1000MΩ min
 - Temperature range: -25° C ~ +85° C
 - Contact resistance: 20mΩ max
- WAFER**
- Part No.: W3961V-NP
 - Poles : 02-16P
 - Housing Material: Nylon66 UL94V-0
 - Pin Material: Brass
 - Contact Area Plating: Tin-Plated
 - The Dimension Marked "▼" Must Be Recorded

PART NO.	Dimensions (mm)	
	A	B
02	3.96	7.92
03	7.92	11.88
04	11.88	15.84
05	15.84	19.80
06	19.80	23.76
07	23.76	27.72
08	27.72	31.68
09	31.68	35.64
10	35.64	39.60
11	39.60	43.56
12	43.56	47.52
13	47.52	51.48
14	51.48	55.44
15	55.44	59.40
16	59.40	63.36

修订版本		2015-11-04		陈雄军		一般公差		0±0.30		XYDZ® 东莞市祥运连接器有限公司 Dongguan XiangYun Connectors CO., Ltd		投影法		品名		VH3.96mm 180° Wafer	
变更图宽格式内容		2013-12-27		陈雄军		GENERAL TOLERANCE:		.00±0.25				Connector		单位 Unit		(PART NAME)	
新版本		2011-05-24		陈雄军		ANGLE: ±1°		.000±0.05		MR. feng		比例/Scale		料号		W3961V-NP	
说明		日期		承认		核		日期/DATE		2015-11-04		页码/SHEET		1/1			
DESCRIPTION		DATE:		APPRO.		准		日期/DATE		2015-11-04		版本/rev		C			