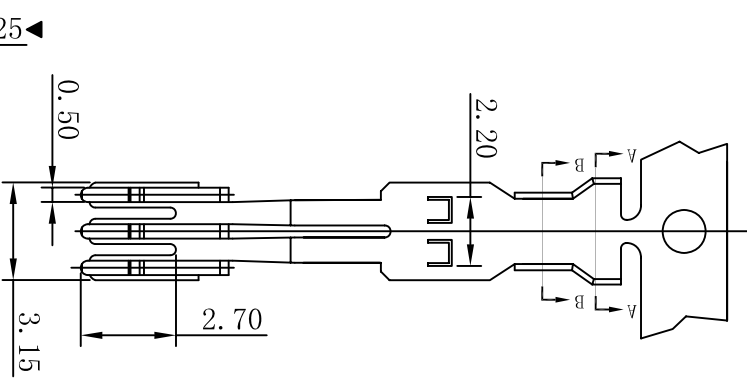
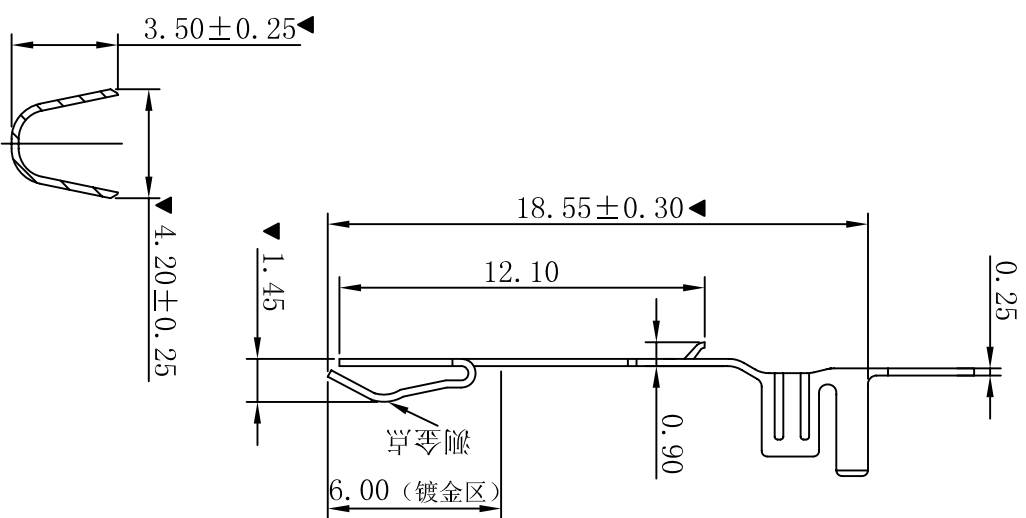
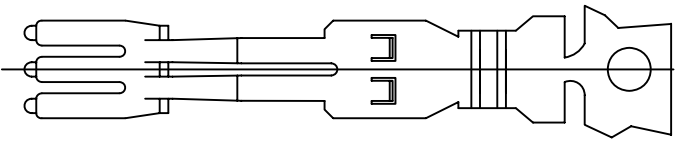


RoHS



SEC: A-A

SEC: B-B

- SPECIFICATIONS
- Voltage rating: 250V AC, DC
 - Current rating: 7A, AC, DC
 - Withstanding Voltage: 1500V AC/minute
 - Insulation resistance: 1000MΩ min
 - Temperature range: -25° C~+85° C
 - Contact resistance: 20mΩ max
- TERMINAL
- Part No. : T3810PG
 - Applicable wire: AWG#18-#22
 - Material: Phosphor Bronze
 - Finish: Gold-flash
 - The Dimension Marked "▼" Must Be Recorded

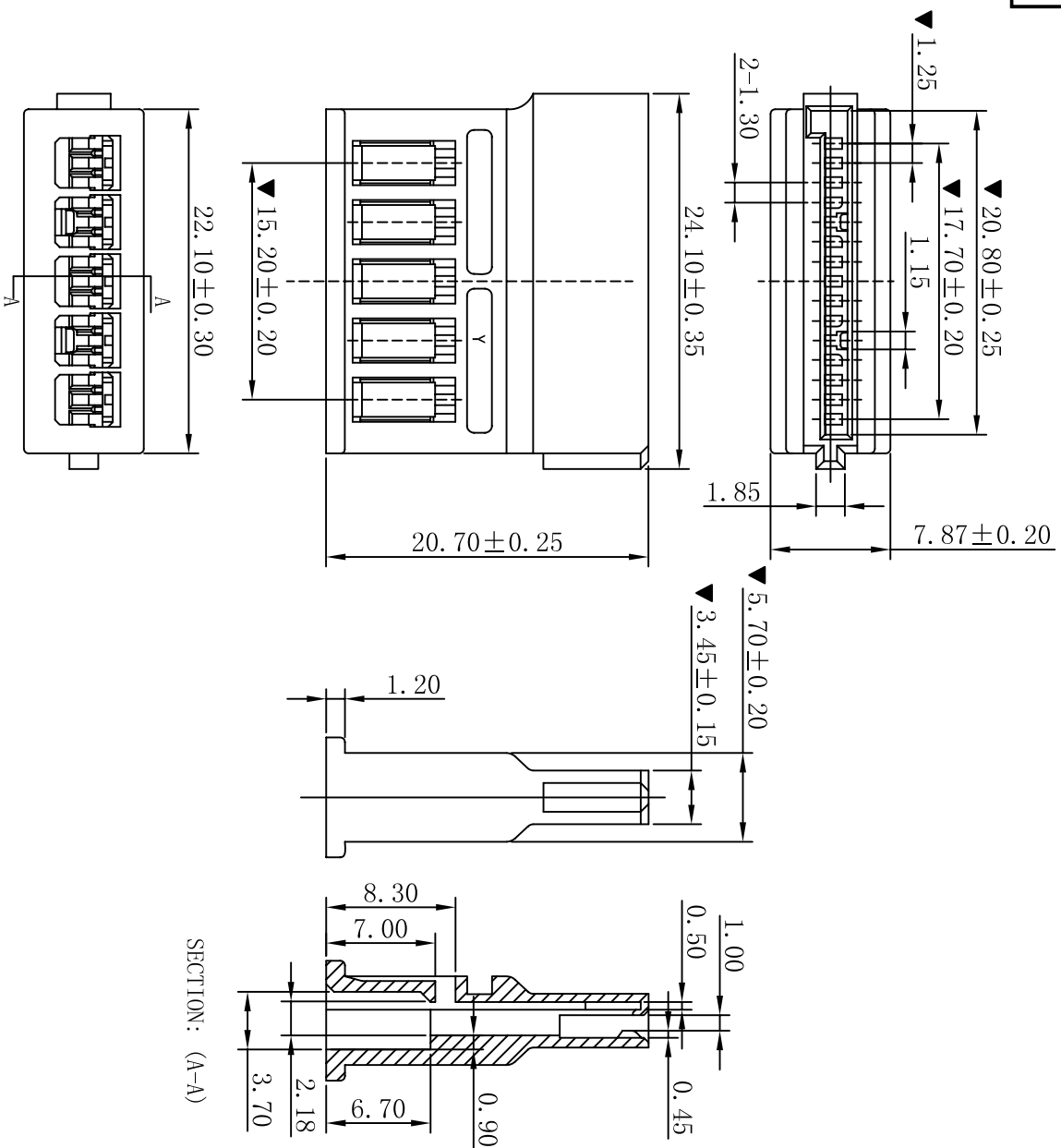
一般公差 GENERAL TOLERANCE:	0±0.30 .0±0.25 .00±0.20 .000±0.05
ANGLE: ±1°	

XYDZ® 东莞市祥运连接器有限公司
 Dongguan XiangYun Connectors CO., Ltd

投影法 Projection	第一角投影法 First Angle Projection
单位 Unit	MM
比例/Scale	1:1
大小/SIZE	A4
页码/SHEET	1/1
版本/Rev	C

修订版本 REVISED VERSION	2015-11-04	陈雄军	绘图/DR	陈雄军	品名 (PART NAME)	SATA1.27mm 15P Terminal
变更图章格式内容 CHANGE DRAWING CHANGING CONTENT	2013-12-27	陈雄军	审核/CHECK	胡进	料号 (PART NO)	Connector Series
新版本 NEW VERSION	2011-05-24	陈雄军	核准/APPRO	MR. feng		
说明 DESCRIPTION		承认 APPRO.	日期/DATE	2015-11-04		
版次 REV.	1					

RoHS



SECTION: (A-A)

■ SPECIFICATIONS

- Voltage rating: 30V AC, DC
- Current rating: 1.5A, AC, DC
- Withstanding Voltage: 500V AC/minute
- Insulation resistance: 100M Ω min
- Temperature range: -25 $^{\circ}$ C~+85 $^{\circ}$ C
- Contact resistance: 20m Ω max

■ HOUSING

- Part No.: H3810-15P
- Housing Material: PBT UL94V-0 Black
- The Dimension Marked "▼" Must Be Recorded

G											
F											
E											
D											
C											
B											
A											
H		1		2		3		4		5	
G		1		2		3		4		5	
F		1		2		3		4		5	
E		1		2		3		4		5	
D		1		2		3		4		5	
C		1		2		3		4		5	
B		1		2		3		4		5	
A		1		2		3		4		5	
H		1		2		3		4		5	
G		1		2		3		4		5	
F		1		2		3		4		5	
E		1		2		3		4		5	
D		1		2		3		4		5	
C		1		2		3		4		5	
B		1		2		3		4		5	
A		1		2		3		4		5	
H		1		2		3		4		5	
G		1		2		3		4		5	
F		1		2		3		4		5	
E		1		2		3		4		5	
D		1		2		3		4		5	
C		1		2		3		4		5	
B		1		2		3		4		5	
A		1		2		3		4		5	
H		1		2		3		4		5	
G		1		2		3		4		5	
F		1		2		3		4		5	
E		1		2		3		4		5	
D		1		2		3		4		5	
C		1		2		3		4		5	
B		1		2		3		4		5	
A		1		2		3		4		5	
H		1		2		3		4		5	
G		1		2		3		4		5	
F		1		2		3		4		5	
E		1		2		3		4		5	
D		1		2		3		4		5	
C		1		2		3		4		5	
B		1		2		3		4		5	
A		1		2		3		4		5	
H		1		2		3		4		5	
G		1		2		3		4		5	
F		1		2		3		4		5	
E		1		2		3		4		5	
D		1		2		3		4		5	
C		1		2		3		4		5	
B		1		2		3		4		5	
A		1		2		3		4		5	
H		1		2		3		4		5	
G		1		2		3		4		5	
F		1		2		3		4		5	
E		1		2		3		4		5	
D		1		2		3		4		5	
C		1		2		3		4		5	
B		1		2		3		4		5	
A		1		2		3		4		5	
H		1		2		3		4		5	
G		1		2		3		4		5	
F		1		2		3		4		5	
E		1		2		3		4		5	
D		1		2		3		4		5	
C		1		2		3		4		5	
B		1		2		3		4		5	
A		1		2		3		4		5	
H		1		2		3		4		5	
G		1		2		3		4		5	
F		1		2		3		4		5	
E		1		2		3		4		5	
D		1		2		3		4		5	
C		1		2		3		4		5	
B		1		2		3		4		5	
A		1		2		3		4		5	
H		1		2		3		4		5	
G		1		2		3		4		5	
F		1		2		3		4		5	
E		1		2		3		4		5	
D		1		2		3		4		5	
C		1		2		3		4		5	
B		1		2		3		4		5	
A		1		2		3		4		5	
H		1		2		3		4		5	
G		1		2		3		4		5	
F		1		2		3		4		5	
E		1		2		3		4		5	
D		1		2		3		4		5	
C		1		2		3		4		5	
B		1		2		3		4		5	
A		1		2		3		4		5	
H		1		2		3		4		5	
G		1		2		3		4		5	
F		1		2		3		4		5	
E		1		2		3		4		5	
D		1		2		3		4		5	
C		1		2		3		4		5	
B		1		2		3		4		5	
A		1		2		3		4		5	
H		1		2		3		4		5	
G		1		2		3		4		5	
F		1		2		3		4		5	
E		1		2		3		4		5	
D		1		2		3		4		5	
C		1		2		3		4		5	
B		1		2		3		4		5	
A		1		2		3		4		5	
H		1		2		3		4		5	
G		1		2		3		4		5	
F		1		2		3		4		5	
E		1		2		3		4		5	
D		1		2		3		4		5	
C		1		2		3		4		5	
B		1		2		3		4		5	
A		1		2		3		4		5	
H		1		2		3		4		5	
G		1		2		3		4		5	
F		1		2		3		4		5	
E		1		2		3		4		5	
D		1		2		3		4		5	
C		1		2		3		4		5	
B		1		2		3		4		5	
A		1		2		3		4		5	
H		1		2		3		4		5	
G		1		2		3		4		5	
F		1		2		3		4		5	
E		1		2		3		4		5	
D		1		2		3		4		5	
C		1		2		3		4		5	
B		1		2		3		4		5	
A		1		2		3		4		5	
H		1		2		3		4		5	
G		1		2		3		4		5	
F		1		2		3		4		5	
E		1		2		3		4		5	
D		1		2		3		4		5	
C		1		2		3		4		5	
B		1		2		3		4		5	
A		1		2		3		4		5	
H		1		2		3		4		5	
G		1		2		3		4		5	
F		1		2		3		4		5	
E		1		2		3		4		5	
D		1		2		3		4		5	
C		1		2		3		4		5	
B		1		2		3		4		5	
A		1		2		3		4		5	
H		1		2		3		4		5	
G		1		2		3		4		5	
F		1		2		3		4		5	
E		1		2		3		4		5	
D		1		2		3		4		5	
C		1		2		3		4		5	
B		1		2		3		4		5	
A		1		2		3		4		5	
H		1		2		3		4		5	
G		1		2		3		4		5	
F		1		2		3		4		5	
E		1		2		3		4		5	
D		1		2		3		4		5	
C		1		2		3		4		5	
B		1		2		3		4		5	
A		1		2		3		4		5	
H		1		2		3		4		5	
G		1		2		3		4		5	
F		1		2		3		4			

