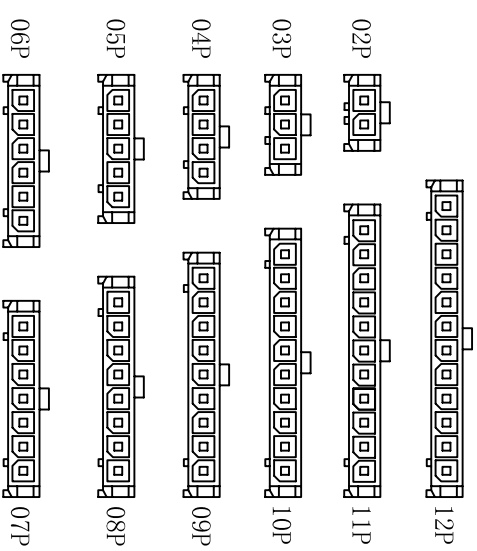
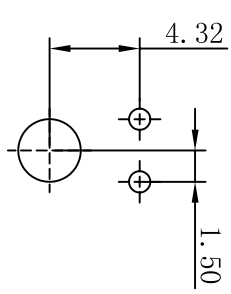
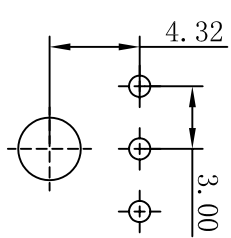
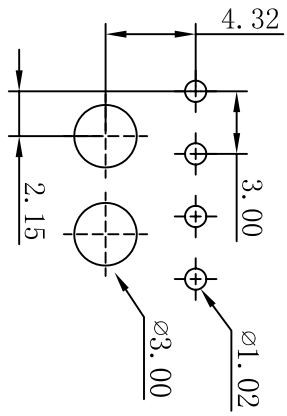
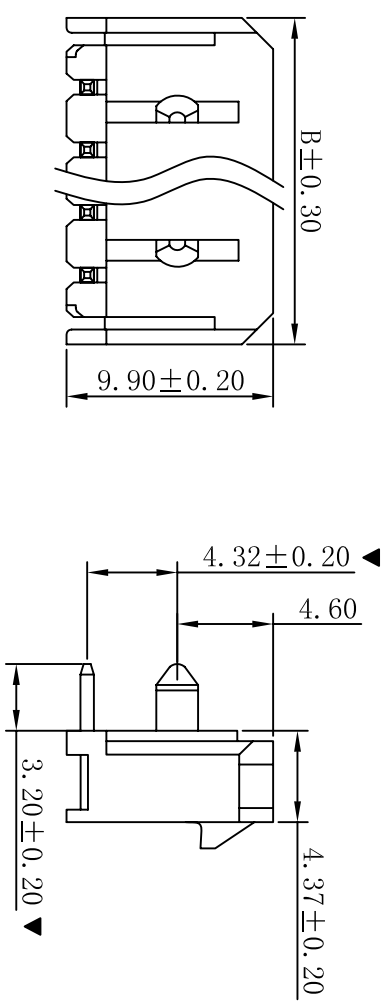
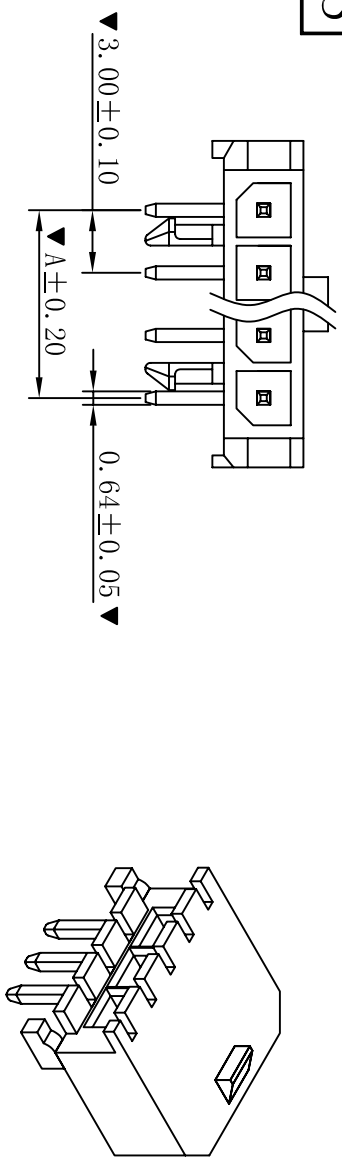


ROHS



P. C. B. LAYOUT 04P-12P

PCB. LAYOUT: 3 CKT

PCB. LAYOUT: 2 CKT

- SPECIFICATIONS**
- Voltage rating: 250V AC, DC
 - Current rating: 5A, AC, DC
 - Withstanding Voltage: 1500V AC/minute
 - Insulation resistance: 1000MΩ min
 - Temperature range: -25° C ~ +85° C
 - Contact resistance: 20mΩ max
- WAFER**
- Part No.: W3045R-1xNP
 - Poles : 02-12P
 - Housing Material: Nylon66 15%GF U-94V-0 Black
 - Pin Material: Brass
 - Contact Area Plating: Tin-Plated
 - The Dimension Marked "▲" Must Be Recorded

PART NO.	Dimensions (mm)	
	A	B
02	3.00	9.65
03	6.00	12.65
04	9.00	15.65
05	12.00	18.65
06	15.00	21.65
07	18.00	24.65
08	21.00	27.65
09	24.00	30.65
10	27.00	33.65
11	30.00	36.65
12	33.00	39.65

XYDZ® 东莞市祥运连接器有限公司
 Dongguan XiangYun Connectors CO., Ltd

一般公差 GENERAL TOLERANCE:	0±0.30 .0±0.25 .00±0.20 .000±0.05
ANGLE: ±1°	

CONNECTORS
 Projection
 Unit: MM
 Scale: 1:1
 Size: A4
 Sheet: 1/1
 Rev: C

修订版本		2015-11-04		陈雄军		0±0.30 .0±0.25 .00±0.20 .000±0.05		投影法 单位: MM 比例/Scale: 1:1 大小/Size: A4 页码/Sheet: 1/1 版本/Rev: C	
变更图宽格式内容		2013-12-27		陈雄军		ANGLE: ±1°		品名 (PART NAME) MX3.0mm 90° Wafer Connector Series	
新版本		2011-05-24		陈雄军				料号 (PART NO) W3045R-1xNP	
说明 DESCRIPTION		日期 DATE		承认 APPRO.					