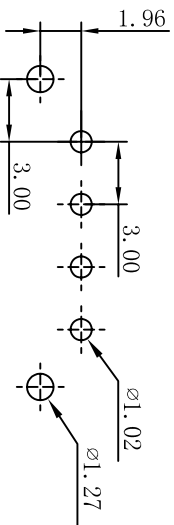
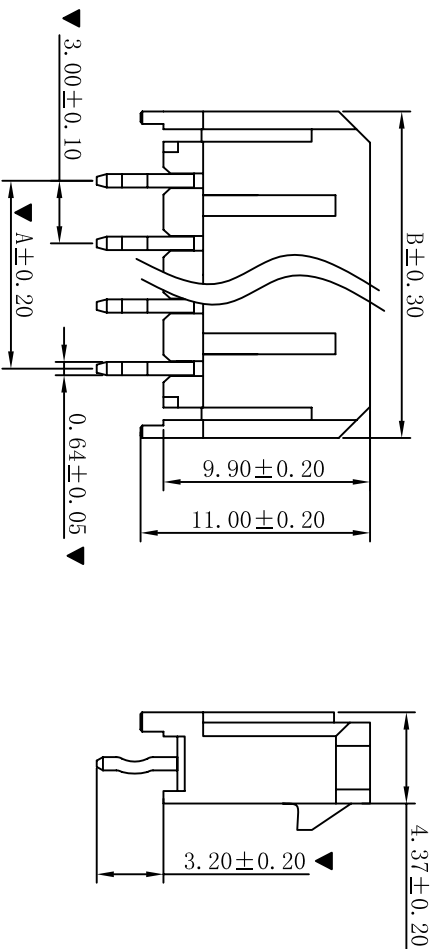
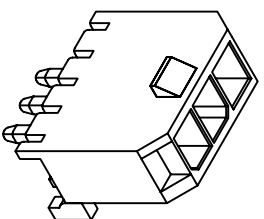
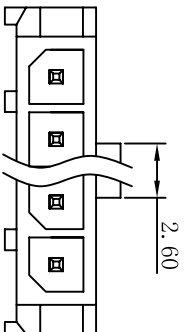
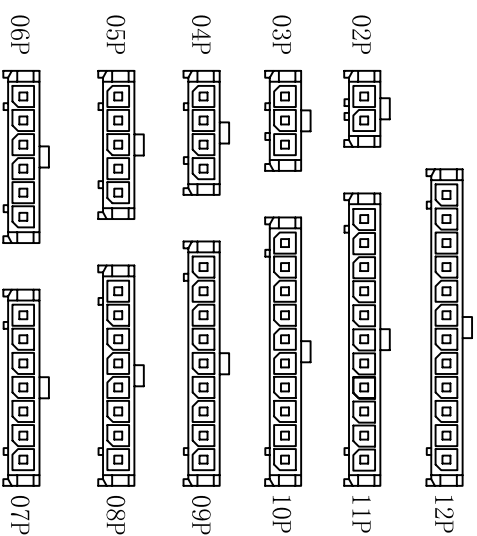


RoHS



P. C. B. LAYOUT

- SPECIFICATIONS**
- Voltage rating: 250V AC, DC
  - Current rating: 5A, AC, DC
  - Withstanding Voltage: 1500V AC/minute
  - Insulation resistance: 1000MΩ min
  - Temperature range: -25°C ~ +85°C
  - Contact resistance: 20mΩ max
- WAFER**
- Part No. : W3045V-1xNP
  - Poles : 02-12P
  - Housing Material: Nylon66 15%GF U194V-0 Black
  - Pin Material: Brass
  - Contact Area Plating: Tin-Plated
  - The Dimension Marked “▼” Must Be Recorded



PART NO.	Dimensions (mm)	
	A	B
02	3.00	9.65
03	6.00	12.65
04	9.00	15.65
05	12.00	18.65
06	15.00	21.65
07	18.00	24.65
08	21.00	27.65
09	24.00	30.65
10	27.00	33.65
11	30.00	36.65
12	33.00	39.65

CIRCUIT SIZE LAYOUT

**XYDZ® 东莞市祥运连接器有限公司**  
 Dongguan XiangYun Connectors CO., Ltd

一般公差 GENERAL TOLERANCE:	0±0.30 .0±0.25 .00±0.20 .000±0.05
ANGLE: ±1°	

投影法  
Projection



单位 Unit  
MM

品名  
(PART NAME)  
MX3.0mm 180° Wafer  
Connector Series

料号  
(PART NO)  
W3045V-1xNP

绘图/DR	陈雄军
审核/CHECK	胡进
核准/APPRO	MR. Feng
日期/DATE	2015-11-04

日期/DATE	2015-11-04
页码/SHEET	1/1
版本/REV	C

修订版本	2015-11-04	陈雄军
变更图宽格式内容	2013-12-27	陈雄军
新版本	2011-05-24	陈雄军
说明	日期	承认
DESCRIPTION	DATE	APPRO.

1 2 3 4 5 6 7 8 9 10