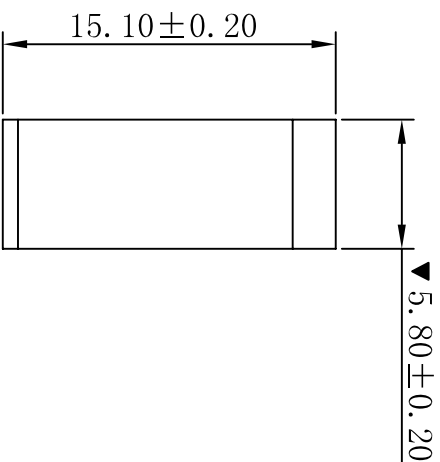
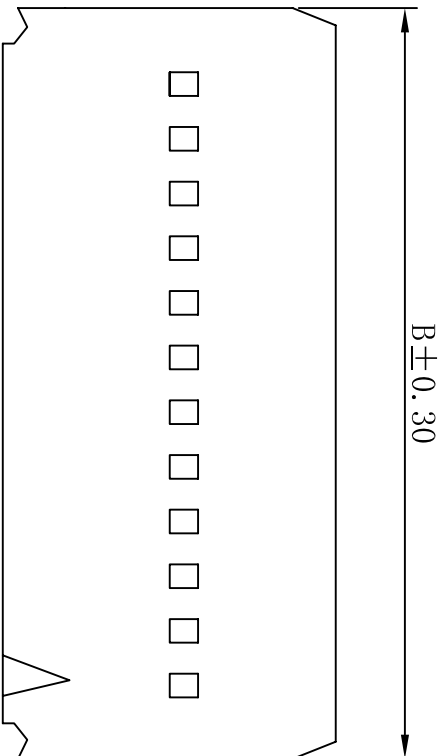
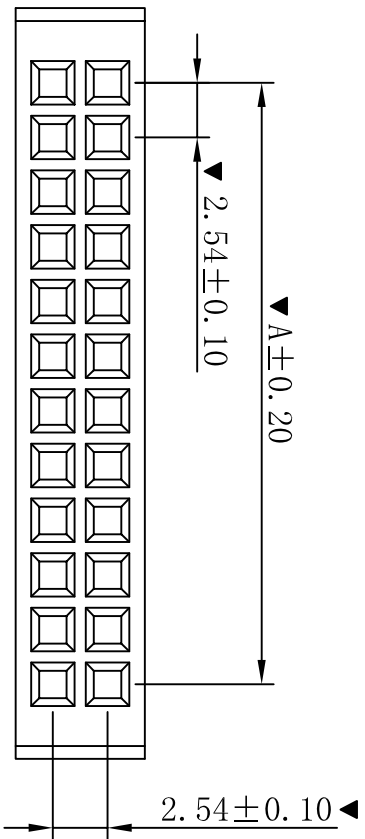


RoHS



- SPECIFICATIONS
- Voltage rating: 250V AC, DC
 - Current rating: 3A, AC, DC
 - Withstanding Voltage: 1500V AC/minute
 - Insulation resistance: 1000MΩ min
 - Temperature range: -25 °C +85 °C
 - Contact resistance: 20mΩ max
- HOUSING
- Part No. : H2547-2xNP
 - Poles : 04-80P
 - Housing Material: PBT UL94V-0
 - The Dimension Marked "▼" Must Be Recorded

PART NO.	Dimensions (mm)		PART NO.	Dimensions (mm)	
	A	B		A	B
2x02	2.54	9.68	2x18	43.18	50.32
2x03	5.08	12.22	2x19	45.72	52.86
2x04	7.62	14.76	2x20	48.26	55.40
2x05	10.16	17.30	2x21	50.80	57.94
2x06	12.70	19.84	2x22	53.34	60.48
2x07	15.24	22.38	2x23	55.88	63.02
2x08	17.78	24.92	2x24	58.42	65.56
2x09	20.32	27.46	2x25	60.96	68.10
2x10	22.86	30.00	2x26	63.50	70.64
2x11	25.40	32.54	2x27	66.04	73.18
2x12	27.94	35.08	2x28	68.58	75.72
2x13	30.48	37.62	2x29	71.12	78.26
2x14	33.02	40.16	2x30	73.66	80.80
2x15	35.56	42.70	2x31	76.20	83.34
2x16	38.10	45.24	2x32	78.74	85.88
2x17	40.64	47.78	2x40	99.06	106.20

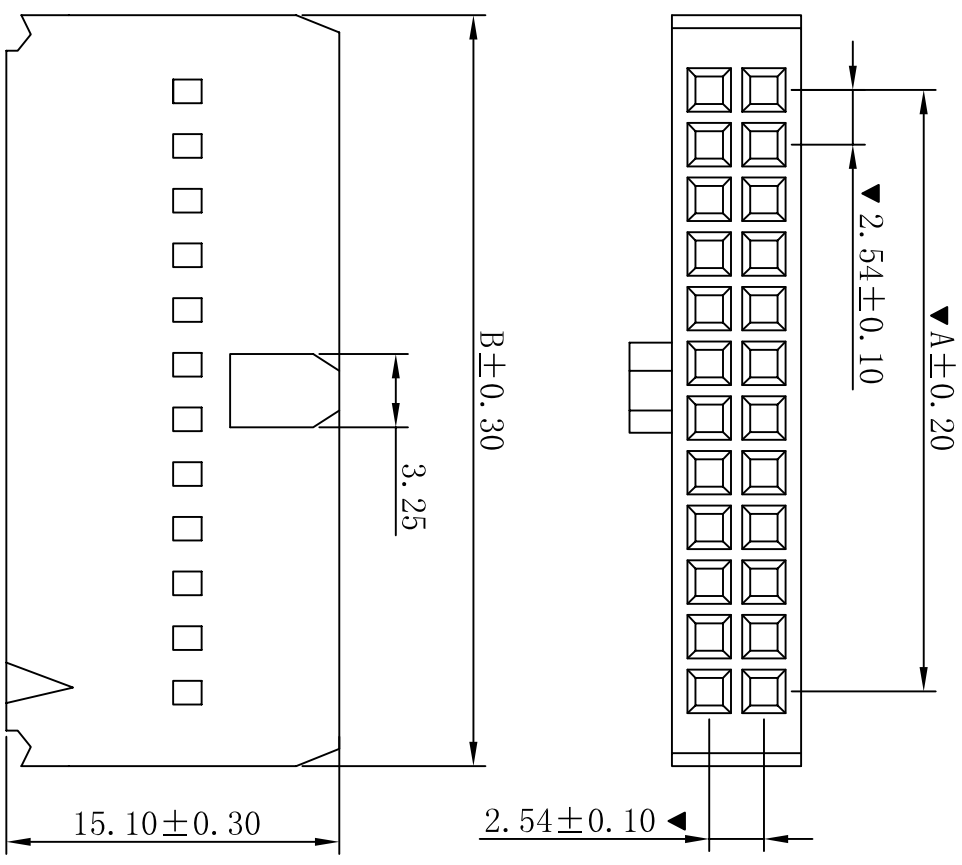
XYDZ® 东莞市祥运连接器有限公司
 Dongguan XiangYun Connectors CO., Ltd

一般公差 GENERAL TOLERANCE:	0±0.30 .0±0.25 .000±0.05
ANGLE: ±1°	
绘图/DR	陈雄军
审核/CHECK	胡进
批准/APPRO	MR. feng
日期/DATE	2015-11-04

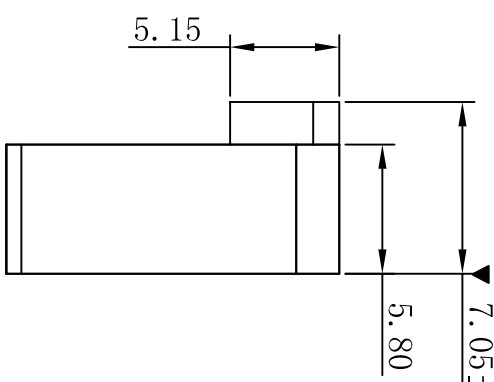
投影法 Projection	MM
单位 Unit	MM
比例/Scale	1:1
大小/SIZE	A4
页码/SHEET	1/1
版本/rev	C
品名 (PART NAME)	HRS 2.54mm Housing Connector Series
料号 (PART NO)	H2547-2xNP

修订版本	2015-11-04	陈雄军
变更图章格式内容	2013-12-27	陈雄军
新版本	2011-05-24	陈雄军
说明	日期	承认
DESCRIPTION	DATE	APPRO.

RoHS



- SPECIFICATIONS
- Voltage rating: 250V AC, DC
 - Current rating: 3A, AC, DC
 - Withstanding Voltage: 1500V AC/minute
 - Insulation resistance: 1000MΩ min
 - Temperature range: -25° C ~ +85° C
 - Contact resistance: 20mΩ max
- HOUSING
- Part No. : H2547A1-2xNP
 - Poles : 04-80P
 - Housing Material: PBT UL94V-0
- The Dimension Marked “▼” Must Be Recorded



PART NO.	Dimensions (mm)		PART NO.	Dimensions (mm)	
	A	B		A	B
2x02	2.54	9.68	2x18	43.18	50.32
2x03	5.08	12.22	2x19	45.72	52.86
2x04	7.62	14.76	2x20	48.26	55.40
2x05	10.16	17.30	2x21	50.80	57.94
2x06	12.70	19.84	2x22	53.34	60.48
2x07	15.24	22.38	2x23	55.88	63.02
2x08	17.78	24.92	2x24	58.42	65.56
2x09	20.32	27.46	2x25	60.96	68.10
2x10	22.86	30.00	2x26	63.50	70.64
2x11	25.40	32.54	2x27	66.04	73.18
2x12	27.94	35.08	2x28	68.58	75.72
2x13	30.48	37.62	2x29	71.12	78.26
2x14	33.02	40.16	2x30	73.66	80.80
2x15	35.56	42.70	2x31	76.20	83.84
2x16	38.10	45.24	2x32	78.74	85.88
2x17	40.64	47.78	2x40	99.06	106.20

修订版本		2015-11-04	陈雄军
变更图章格式内容		2013-12-27	陈雄军
新版本		2011-05-24	陈雄军
说明		日期	承认
DESCRIPTION		DATE	APPRO.

一般公差	0±0.30
GENERAL TOLERANCE:	.00±0.25
	.000±0.05
ANGLE: ±1°	
绘图/DR	陈雄军
审核/CHECK	胡进
批准/APPRO	MR. feng
日期/DATE	2015-11-04

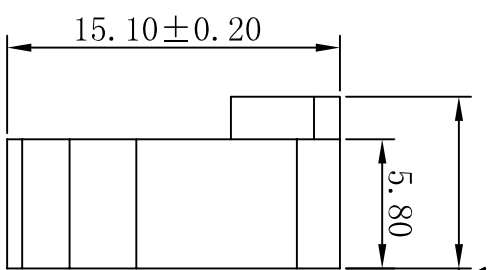
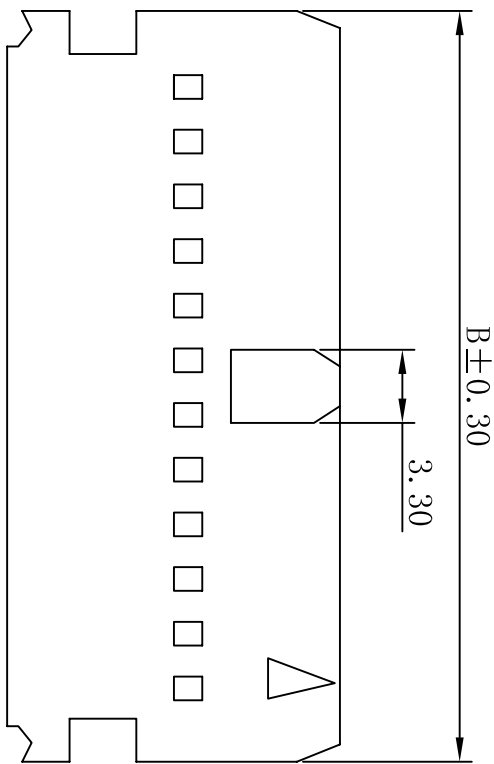
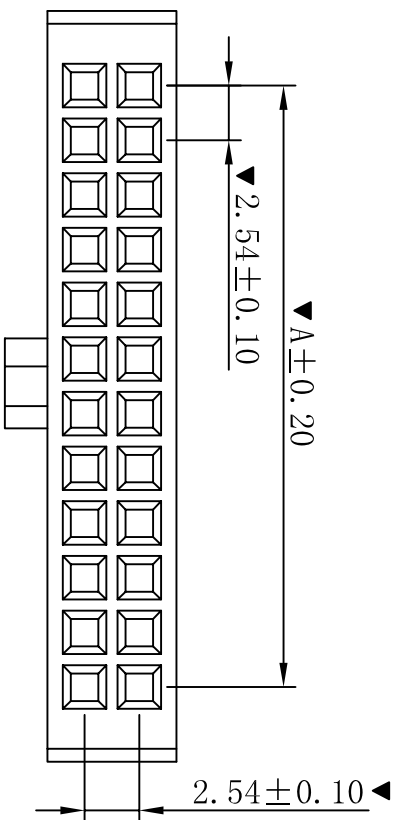
XYDZ® 东莞市祥运连接器有限公司
Dongguan XiangYun Connectors CO., Ltd

投影法
单位 Unit: MM
比例/Scale: 1:1
大小/SIZE: A4
页码/SHEET: 1/1
版本/Rev: C

品名 (PART NAME): HRS 2.54mm Housing Connector Series

料号 (PART NO): H2547A1-2xNP

RoHS



- SPECIFICATIONS
- Voltage rating: 250V AC, DC
 - Current rating: 3A, AC, DC
 - Withstanding Voltage: 1500V AC/minute
 - Insulation resistance: 1000MΩ min
 - Temperature range: -25° C~+85° C
 - Contact resistance: 20mΩ max
- HOUSING
- Part No. : H2547B1-2xNP
 - Poles : 04-80P
 - Housing Material: PBT UL94V-0
 - The Dimension Marked "▼" Must Be Recorded

PART NO.	Dimensions (mm)		PART NO.	Dimensions (mm)	
	A	B		A	B
2x02	2.54	9.68	2x18	43.18	50.32
2x03	5.08	12.22	2x19	45.72	52.86
2x04	7.62	14.76	2x20	48.26	55.40
2x05	10.16	17.30	2x21	50.80	57.94
2x06	12.70	19.84	2x22	53.34	60.48
2x07	15.24	22.38	2x23	55.88	63.02
2x08	17.78	24.92	2x24	58.42	65.56
2x09	20.32	27.46	2x25	60.96	68.10
2x10	22.86	30.00	2x26	63.50	70.64
2x11	25.40	32.54	2x27	66.04	73.18
2x12	27.94	35.08	2x28	68.58	75.72
2x13	30.48	37.62	2x29	71.12	78.26
2x14	33.02	40.16	2x30	73.66	80.80
2x15	35.56	42.70	2x31	76.20	83.34
2x16	38.10	45.24	2x32	78.74	85.88
2x17	40.64	47.78	2x40	99.06	106.20

修订版本		2015-11-04	陈雄军
变更图章格式内容		2013-12-27	陈雄军
新版本		2011-05-24	陈雄军
说明		日期	承认
DESCRIPTION		DATE	APPRO.

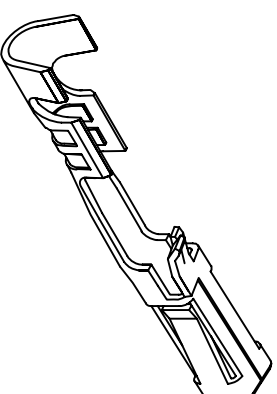
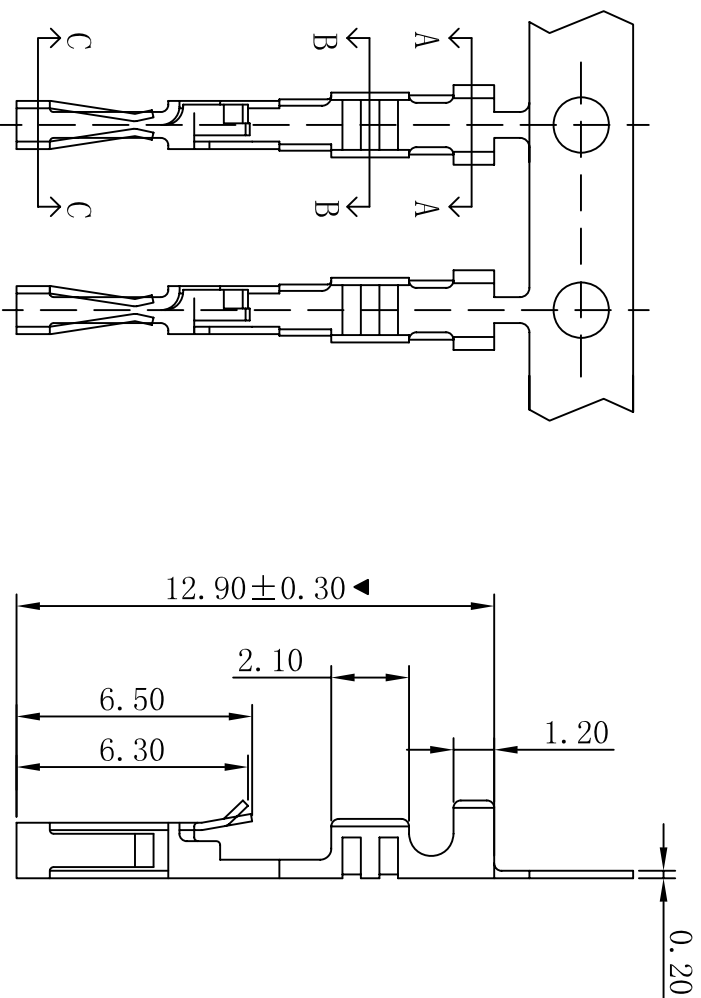
一般公差	0±0.30
GENERAL TOLERANCE:	.00±0.25
	.000±0.05
ANGLE:	±1°
绘图/DR	陈雄军
审核/CHECK	胡进
批准/APPRO	MR. feng
日期/DATE	2015-11-04

XYDZ® 东莞市祥运连接器有限公司
 Dongguan XiangYun Connectors CO., Ltd

投影法
 Unit: MM
 Scale: 1:1
 Size: A4
 Sheet: 1/1
 Rev: C

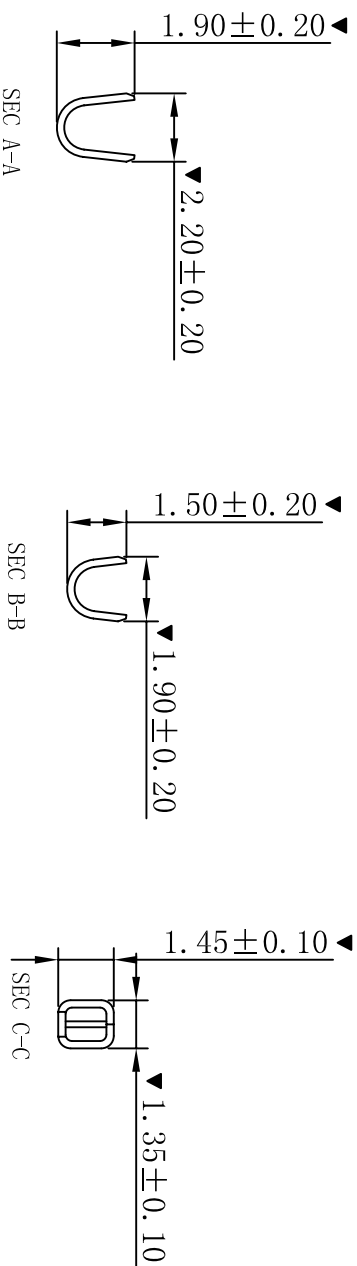
品名: HRS 2.54mm Housing Connector Series
 料号: H2547B1-2xNP

RoHS



- SPECIFICATIONS
- Voltage rating: 250V AC, DC
 - Current rating: 3A, AC, DC
 - Withstanding Voltage: 1500V AC/minute
 - Insulation resistance: 1000M Ω min
 - Temperature range: -25 $^{\circ}$ C~+85 $^{\circ}$ C
 - Contact resistance: 20m Ω max

- TERMINAL
- Part No.: T2547PT
 - Applicable wire: AWG#22-#30
 - Material: Phosphor Bronze
 - Finish: Tin Plated
 - The Dimension Marked "▲" Must Be Recorded



修订版本		2015-11-04	陈雄军
变更图章格式内容		2013-12-27	陈雄军
新版本		2011-05-24	陈雄军
说明	DESCRIPTION	日期	APPRO.
版次	REV.		

一般公差	0±0.30
GENERAL TOLERANCE:	.00±0.25
	.000±0.05
绘图/DR	陈雄军
审核/CHECK	胡进
核准/APPRO	MR. feng
日期/DATE	2015-11-04

投影法		第一角
单位 Unit		MM
比例/Scale		1:1
大小/SIZE		A4
页码/SHEET		1/1
版本/rev		C
品名	HRS 2.54mm Female Terminal	
(PART NAME)	Connector Series	
料号	T2547PT	
(PART NO)		

XYDZ® 东莞市祥运连接器有限公司
Dongguan Xiangyun Connectors Co., Ltd