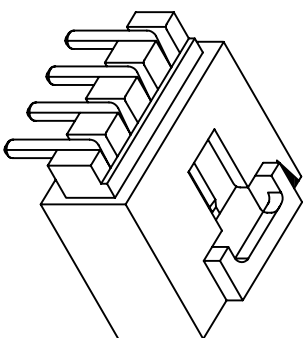
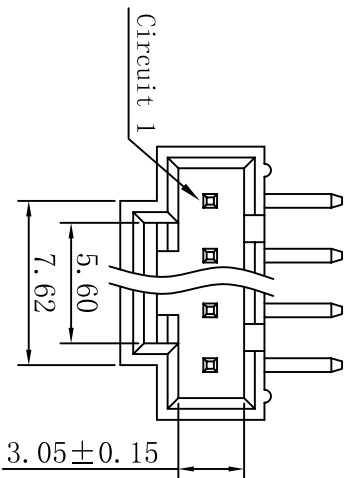
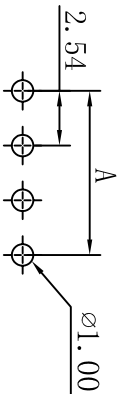
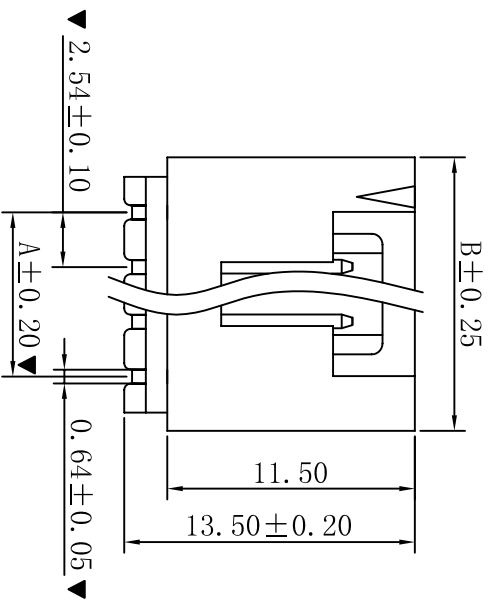


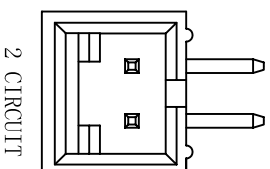
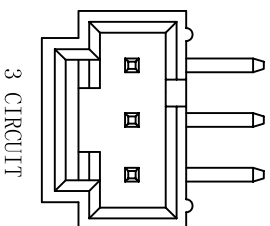
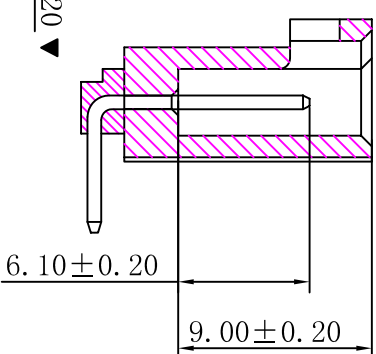
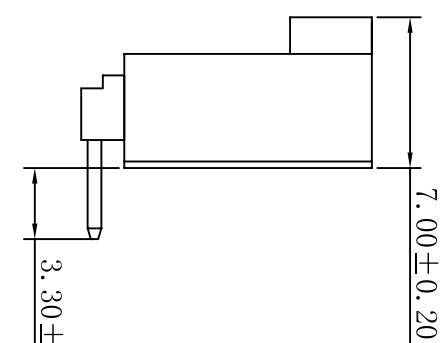
ROHS



- SPECIFICATIONS
- Voltage rating: 250V AC, DC
 - Current rating: 5A, AC, DC
 - Withstanding Voltage: 1500V AC/minute
 - Insulation resistance: 1000M Ω min
 - Temperature range: -25 $^{\circ}$ C ~ +85 $^{\circ}$ C
 - Contact resistance: 20m Ω max
- WAFER
- Part No. : W2545R-NP
 - Poles : 02-20P
 - Housing Material: Nylon66 15%GF UL94V-0 Black
 - Pin Material: Brass
 - Contact Area Plating: Gold-Flash
 - The Dimension Marked "▼" Must Be Recorded



P. C. B LAYOUT



Part No.	Dimension (mm)	
	A	B
02	2.54	7.62
03	5.08	10.16
04	7.62	12.70
05	10.16	15.24
06	12.70	17.78
07	15.24	20.32
08	17.78	22.86
09	20.32	25.40
10	22.86	27.94
11	25.40	30.48
12	27.94	33.02
13	30.48	35.56
14	33.02	38.10
15	35.56	40.64
16	38.10	43.18
17	40.64	45.72
18	43.18	48.26
19	45.72	50.80
20	48.26	53.34

XYDZ[®] 东莞市祥运连接器有限公司
Dongguan XiangYun Connectors CO., Ltd

一般公差 GENERAL TOLERANCE:	0 ± 0.30 .0 ± 0.25 .00 ± 0.20 .000 ± 0.05
ANGLE: ± 1 $^{\circ}$	

绘图/DR	陈雄军
审核/CHECK	胡进
核准/APPRO	MR. Feng

投影法	第一角
单位 Unit	MM
比例/Scale	1:1
大小/SIZE	A4
页码/SHEET	1/1
版本/rev	C

品名 (PART NAME) MX2.54mm 90 $^{\circ}$ Wafer Connector Series

料号 (PART NO) W2545R-NP

修订版本

变更图宽格式内容

新版本

说明
DESCRIPTION

2015-11-04	陈雄军
2013-12-27	陈雄军
2011-05-24	陈雄军
日期 DATE:	承认 APPRO.

2015-11-04	MR. Feng
日期/DATE	版本/rev

2015-11-04	MR. Feng
日期/DATE	版本/rev

2015-11-04	MR. Feng
日期/DATE	版本/rev

1	2	3	4	5	6	7	8	9	10
---	---	---	---	---	---	---	---	---	----