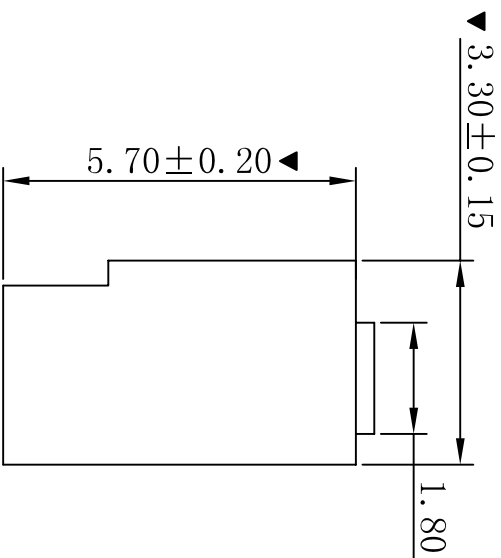
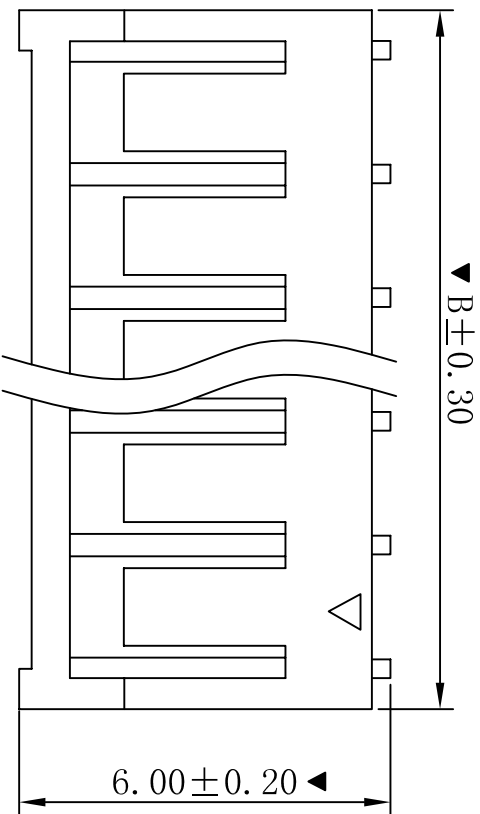
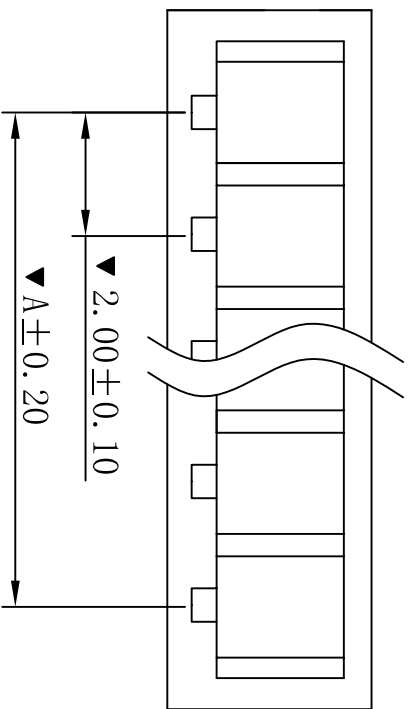


RoHS



■ SPECIFICATIONS

- Voltage rating: 250V AC, DC
- Current rating: 2A, AC, DC
- Withstanding Voltage: 800V AC/minute
- Insulation resistance: 1000MΩ min
- Temperature range: -25° C~+85° C
- Contact resistance: 20mΩ max

■ HOUSING

- Part No. : H2012-NP
- Poles : 02-16P
- Housing Material: Nylon66 UL94V-0
- The Dimension Marked “▼” Must Be Recorded

| Part No | Dimensions (mm) | |
|---------|-----------------|-------|
| | A | B |
| 02 | 2.00 | 5.30 |
| 03 | 4.00 | 7.30 |
| 04 | 6.00 | 9.30 |
| 05 | 8.00 | 11.30 |
| 06 | 10.00 | 13.30 |
| 07 | 12.00 | 15.30 |
| 08 | 14.00 | 17.30 |
| 09 | 16.00 | 19.30 |
| 10 | 18.00 | 21.30 |
| 11 | 20.00 | 23.30 |
| 12 | 22.00 | 25.30 |
| 13 | 24.00 | 27.30 |
| 14 | 26.00 | 29.30 |
| 15 | 28.00 | 31.30 |
| 16 | 30.00 | 33.30 |

XYDZ® 东莞市祥运连接器有限公司
 Dongguan Xiangyun Connectors Co., Ltd

| | |
|----------------------------|--|
| 一般公差 GENERAL TOLERANCE: | 0±0.30 .0±0.25 .00±0.20 .000±0.05 |
| ANGLE: ±1° | |

Connectors

| | |
|-------------------|-------|
| 投影法 Projection | 第一角投影 |
| 单位 Unit | MM |
| 比例/Scale | 1:1 |
| 大小/SIZE | A4 |
| 页码/SHEET | 1/1 |
| 版本/Rev | C |

品名 (PART NAME) SAN2.00mm Vertical Housing
 Connector Series

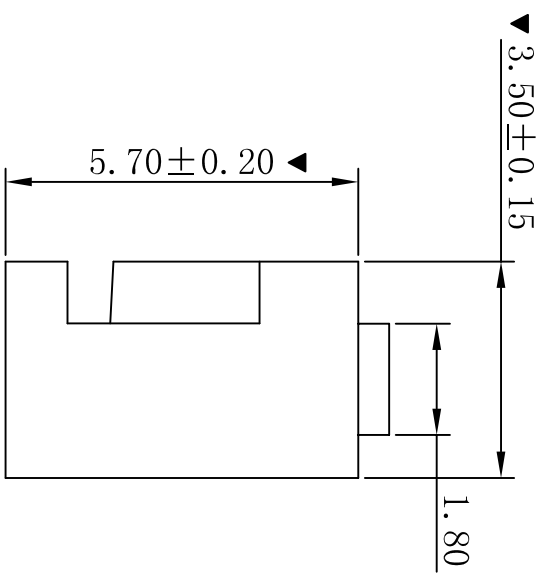
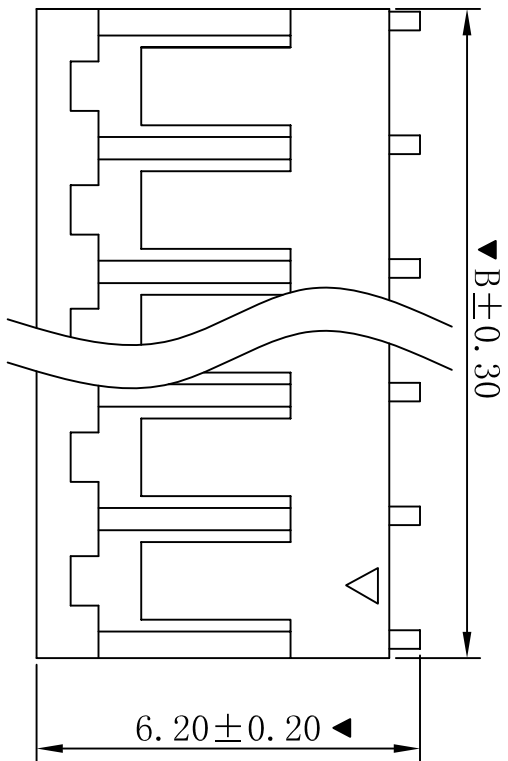
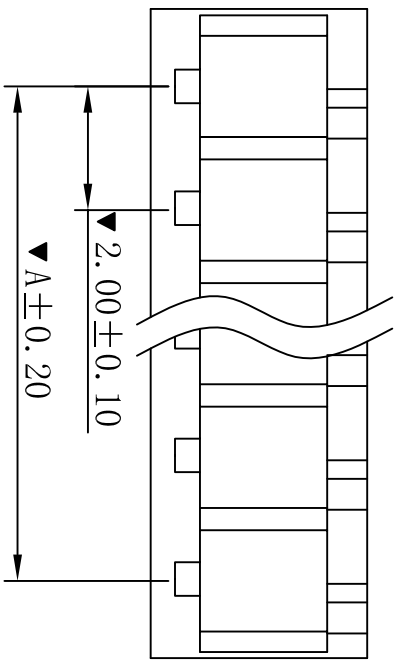
料号 (PART NO) H2012-NP

| | | |
|-------------|------------|--------|
| 修订版本 | 2015-11-04 | 陈雄军 |
| 变更图宽格式内容 | 2013-12-27 | 陈雄军 |
| 新版本 | 2011-05-24 | 陈雄军 |
| 说明 | 日期 | 承认 |
| DESCRIPTION | DATE: | APPRO. |

| | |
|----------|------------|
| 绘图/DR | 陈雄军 |
| 审核/CHECK | 胡进 |
| 核准/APPRO | MR. feng |
| 日期/DATE | 2015-11-04 |

| | |
|------|----|
| 版本号 | 版次 |
| REV. | 1 |

RoHS



■ SPECIFICATIONS

- Voltage rating: 250V AC, DC
- Current rating: 2A, AC, DC
- Withstanding Voltage: 800V AC/minute
- Insulation resistance: 1000MΩ min
- Temperature range: -25° C~+85° C
- Contact resistance: 20mΩ max

■ HOUSING

- Part No. : H2012R-NP
- Poles : 02-16P
- Housing Material: Nylon66 UL94V-0
- The Dimension Marked “▼” Must Be Recorded

| Part No | Dimensions | |
|---------|------------|-------|
| | A | B |
| 02 | 2.00 | 4.50 |
| 03 | 4.00 | 6.50 |
| 04 | 6.00 | 8.50 |
| 05 | 8.00 | 10.50 |
| 06 | 10.00 | 12.50 |
| 07 | 12.00 | 14.50 |
| 08 | 14.00 | 16.50 |
| 09 | 16.00 | 18.50 |
| 10 | 18.00 | 20.50 |
| 11 | 20.00 | 22.50 |
| 12 | 22.00 | 24.50 |
| 13 | 24.00 | 26.50 |
| 14 | 26.00 | 28.50 |
| 15 | 28.00 | 30.50 |
| 16 | 30.00 | 32.50 |

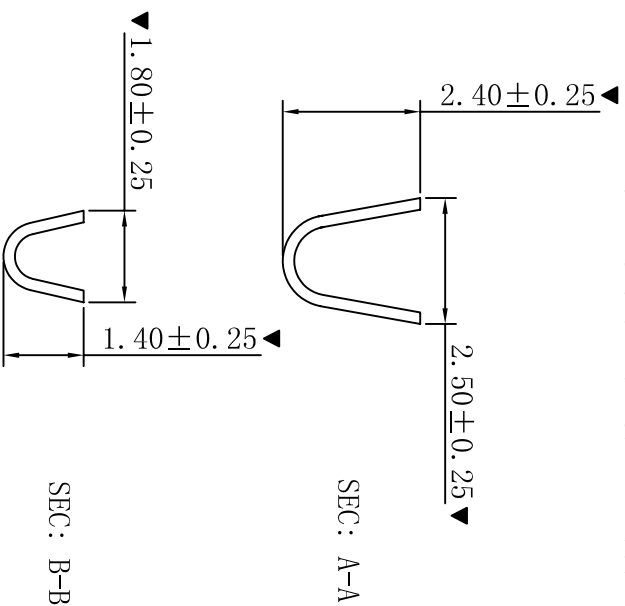
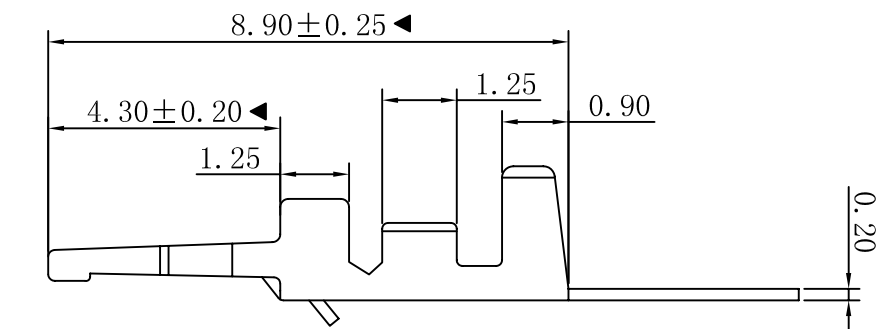
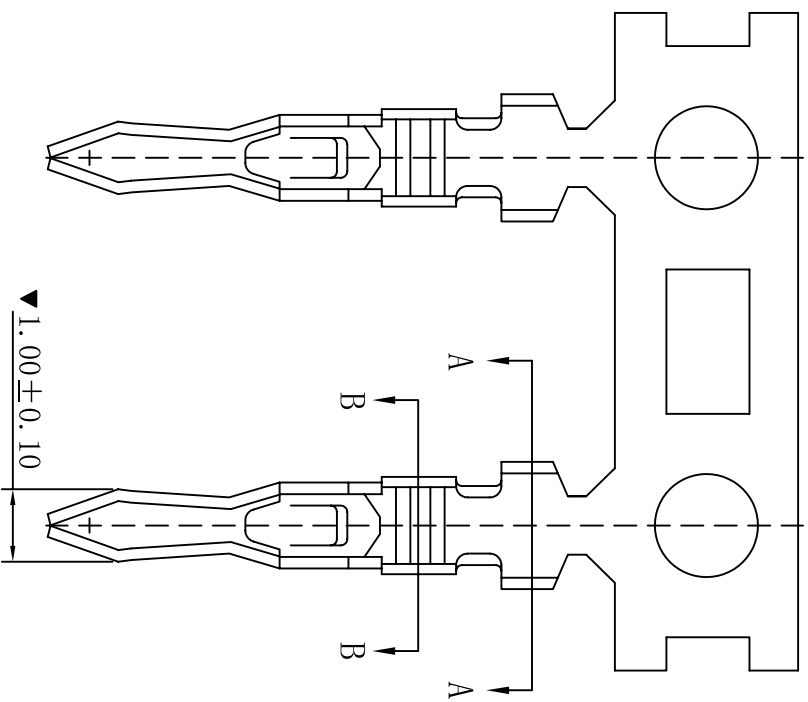
| | | | |
|-------------|--|------------|--------|
| 修订版本 | | 2015-11-04 | 陈雄军 |
| 变更图宽格式内容 | | 2013-12-27 | 陈雄军 |
| 新版本 | | 2011-05-24 | 陈雄军 |
| 说明 | | 日期 | 承认 |
| DESCRIPTION | | DATE | APPRO. |

| | |
|--------------------|-----------|
| 一般公差 | 0±0.30 |
| GENERAL TOLERANCE: | .0±0.25 |
| | .000±0.20 |
| | .000±0.05 |
| ANGLE: ±1° | |

| | |
|----------|------------|
| 绘图/DR | 陈雄军 |
| 审核/CHECK | 胡进 |
| 核准/APPRO | MR. feng |
| 日期/DATE | 2015-11-04 |

| | |
|--|-------------------------------|
| <p>XYDZ® 东莞市祥运连接器有限公司 Dongguan XiangYun Connectors CO., Ltd</p> | |
| 投影法 | 第一角 |
| 单位 Unit | MM |
| 比例/Scale | 1:1 |
| 大小/SIZE | A4 |
| 页码/SHEET | 1/1 |
| 版本/rev | C |
| 品名 | SAN2.00mm Right angle Housing |
| (PART NAME) | Connector Series |
| 料号 | H2012R-NP |
| (PART NO) | |

RoHS



■ SPECIFICATIONS

- Voltage rating: 250V AC, DC
- Current rating: 2A, AC, DC
- Withstanding Voltage: 800V AC/minute
- Insulation resistance: 1000M Ω min
- Temperature range: -25 $^{\circ}$ C~+85 $^{\circ}$ C
- Contact resistance: 20m Ω max

■ TERMINAL

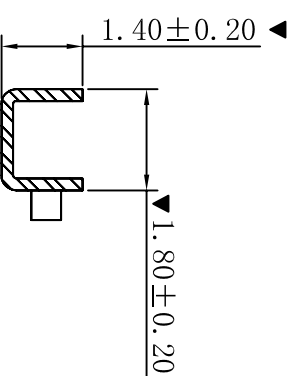
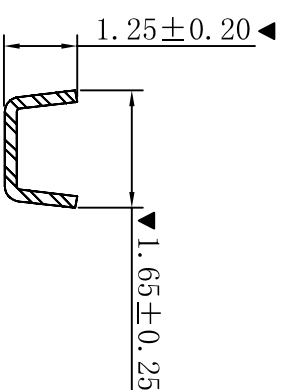
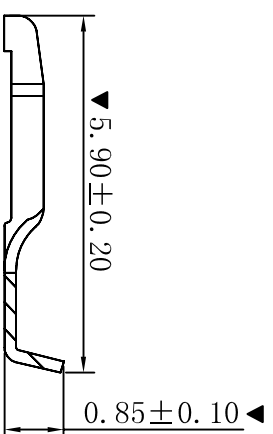
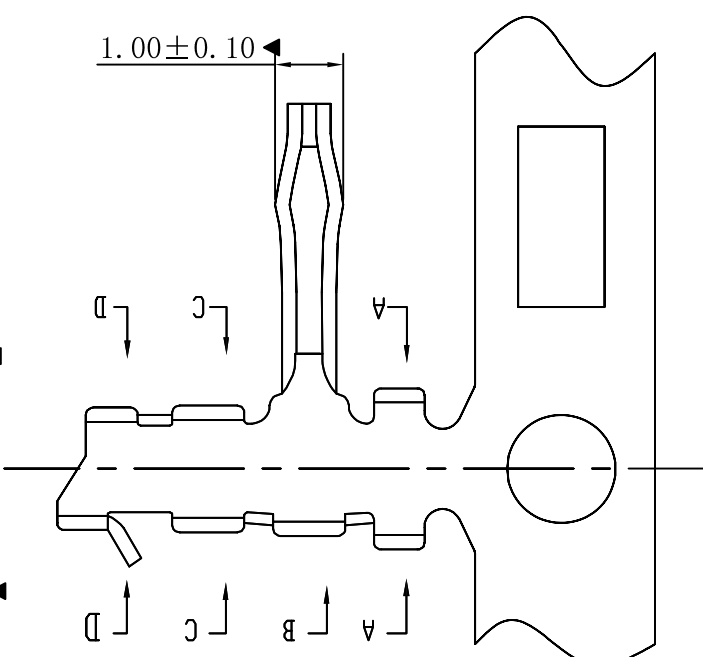
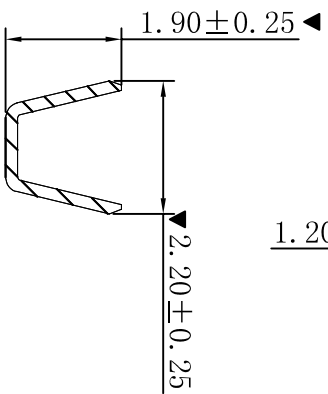
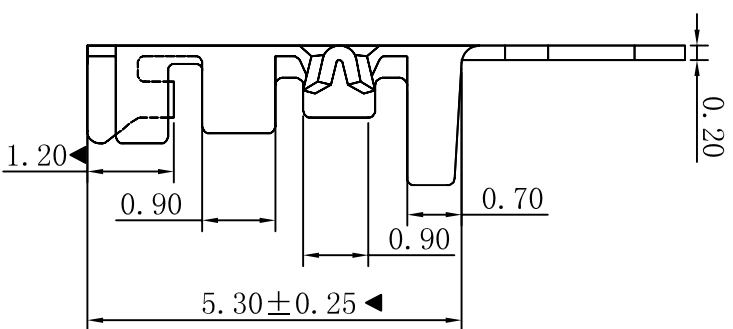
- Part No. : T2012PT
- Applicable wire: AWG#24-#30
- Material: Phosphor Bronze
- Finish: Tin Plated
- The Dimension Marked “▼” Must Be Recorded

| | | | | | | | | | |
|------------|-------------------|--|-------------|--------------|----------------------------|------------|---------------------------|--|--|
| | | | | | | | | | |
| | | | | | | | | | |
| C | 修订版本 | | 2015-11-04 | 陈雄军 | 一般公差 GENERAL TOLERANCE: | | 0 \pm 0.30 | | |
| B | 变更图章格式内容 | | 2013-12-27 | 陈雄军 | 审核/CHECK | 胡进 | .00 \pm 0.25 | | |
| A | 新版本 | | 2011-05-24 | 陈雄军 | 批准/APPRO | MR. feng | .000 \pm 0.05 | | |
| 版次 REV. | 说明 DESCRIPTION | | 日期 DATE: | 承认 APPRO. | 日期/DATE | 2015-11-04 | ANGLE: \pm 1 $^{\circ}$ | | |

| | | | |
|----------|-----|---------|----|
| 投影法 | 第一角 | 单位 | MM |
| 比例/Scale | 1:1 | 大小/SIZE | A4 |
| 页码/SHEET | 1/1 | 版本/REV | C |

| | |
|---|---|
| <p>XYDZ[®] 东莞市祥运连接器有限公司 Dongguan XiangYun Connectors CO., Ltd</p> | |
| 品名 (PART NAME) | SAN2.00mm Vertical Terminal Connector Series |
| 料号 (PART NO) | T2012PT |

RoHS



■ SPECIFICATIONS

- Voltage rating: 250V AC, DC
- Current rating: 2A, AC, DC
- Withstanding Voltage: 800V AC/minute
- Insulation resistance: 1000M Ω min
- Temperature range: -25 $^{\circ}$ C~+85 $^{\circ}$ C
- Contact resistance: 20m Ω max

■ TERMINAL

- Part No. : T2012RPT
- Applicable wire: AWG#24-#30
- Material: Phosphor Bronze
- Finish: Tin Plated
- The Dimension Marked "▼" Must Be Recorded

SEC: A-A

SEC: B-B

SEC: C-C

SEC: D-D

| | | | | | | | | | |
|----|------------|-------------------|------------|--------------|--|--|--|--|--|
| | | | | | | | | | |
| | | | | | | | | | |
| C | 修订版本 | | | | | | | | |
| B | 变更图章格式内容 | 2013-12-27 | 陈雄军 | | | | | | |
| A | 新版本 | 2011-05-24 | 陈雄军 | | | | | | |
| H | 版次 REV. | 说明 DESCRIPTION | 日期 DATE | 承认 APPRO. | | | | | |
| 1 | | | | | | | | | |
| 2 | | | | | | | | | |
| 3 | | | | | | | | | |
| 4 | | | | | | | | | |
| 5 | | | | | | | | | |
| 6 | | | | | | | | | |
| 7 | | | | | | | | | |
| 8 | | | | | | | | | |
| 9 | | | | | | | | | |
| 10 | | | | | | | | | |

| | |
|-------------------------------|--------------------------------|
| 一般公差 GENERAL TOLERANCE: | 0±0.30 .0±0.25 .000±0.05 |
| 绘图/DR | 陈雄军 |
| 审核/CHECK | 胡进 |
| 核准/APPRO | MR. feng |
| 日期/DATE | 2015-11-04 |

| | |
|-------------------|-----|
| 投影法 Projection | 第一角 |
| 单位 Unit | MM |
| 比例/Scale | 1:1 |
| 大小/SIZE | A4 |
| 页码/SHEET | 1/1 |
| 版本/Rev | C |

XYDZ® 东莞市祥运连接器有限公司
Dongguan XiangYun Connectors CO., Ltd

| | |
|-------------------|--|
| 品名 (PART NAME) | SAN2.00mm Right angle Terminal Connector Series |
| 料号 (PART NO) | T2012RPT |