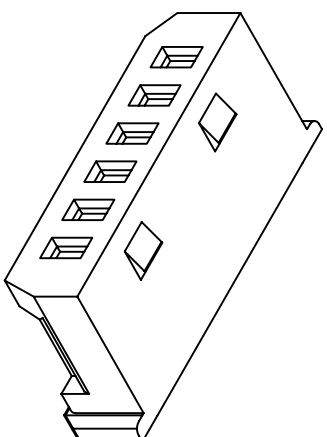
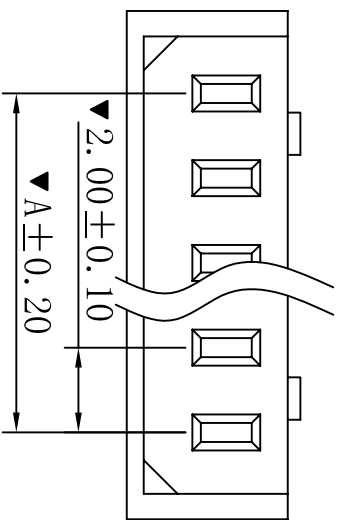
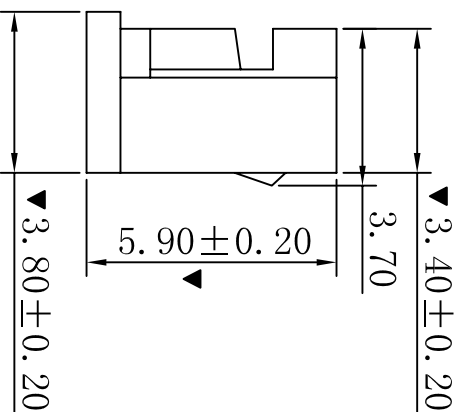
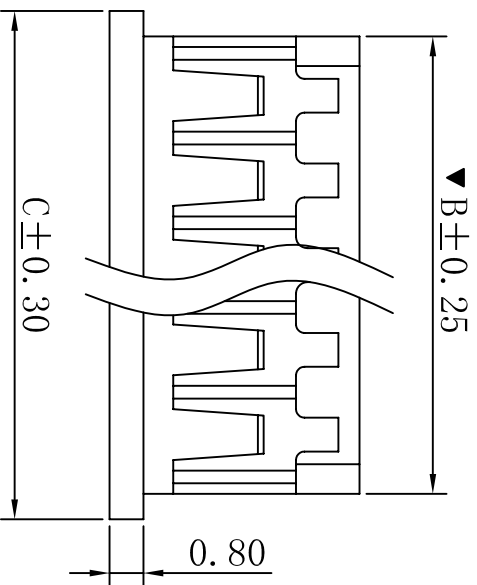


RoHS



- SPECIFICATIONS
- Voltage rating: 125V AC, DC
 - Current rating: 2A, AC, DC
 - Withstanding Voltage: 800V AC/minute
 - Insulation resistance: 1000MΩ min
 - Temperature range: -25° C~+85° C
 - Contact resistance: 10mΩ max
- HOUSING
- Part No. : H2002-NP
 - Poles : 02-15P
 - Housing Material: Nylon66 UL94V-0
 - The Dimension Marked “▼” Must Be Recorded



PART NO.	Dimensions (mm)		
	A	B	C
02	2.00	5.10	6.20
03	4.00	7.10	8.20
04	6.00	9.10	10.20
05	8.00	11.10	12.20
06	10.00	13.10	14.20
07	12.00	15.10	16.20
08	14.00	17.10	18.20
09	16.00	19.10	20.20
10	18.00	21.10	22.20
11	20.00	23.10	24.20
12	22.00	25.10	26.20
13	24.00	27.10	28.20
14	26.00	29.10	30.20
15	28.00	31.10	32.20

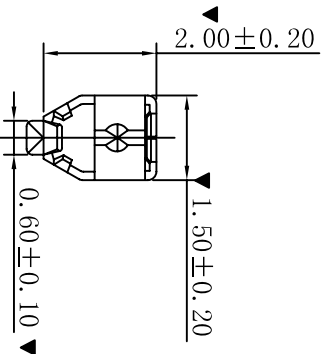
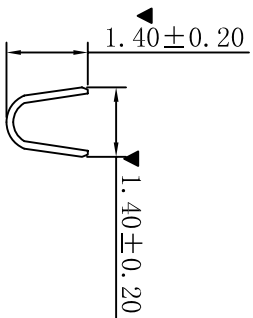
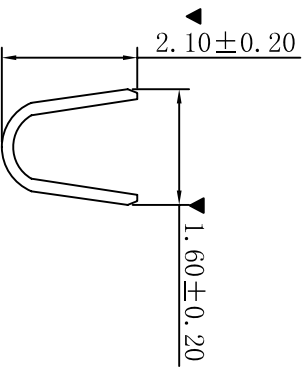
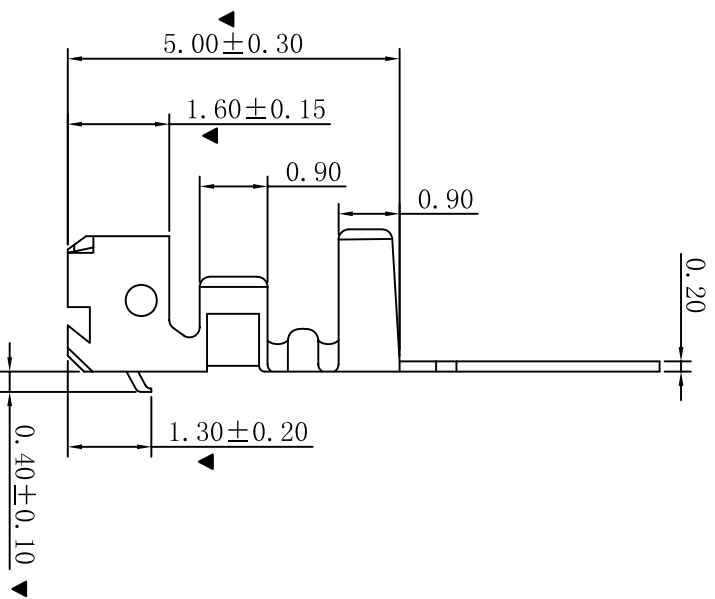
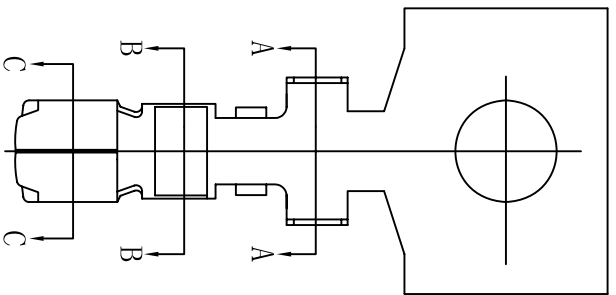
修订版本		2015-11-04	陈雄军
变更图宽格式内容		2013-12-27	陈雄军
新版本		2011-05-24	陈雄军
说明		日期	承认
DESCRIPTION		DATE	APPRO.

一般公差	0±0.30
GENERAL TOLERANCE:	.0±0.25
	.00±0.20
	.000±0.05
ANGLE: ±1°	

绘图/DR	陈雄军	投影法	第一角
审核/CHECK	胡进	单位 Unit	MM
核准/APPRO	MR. feng	比例/Scale	1:1
日期/DATE	2015-11-04	大小/SIZE	A4
		页码/SHEET	1/1
		版本/rev	C

<p>XYDZ® 东莞市祥运连接器有限公司 Dongguan XiangYun Connectors CO., Ltd</p>	
品名 (PART NAME)	MX2.00mm Housing Connector Series
料号 (PART NO)	H2002-NP

ROHS



■ SPECIFICATIONS

- Voltage rating: 125V AC, DC
- Current rating: 2A, AC, DC
- Withstanding Voltage: 800V AC/minute
- Insulation resistance: 1000MΩ min
- Temperature range: -25° C ~ +85° C
- Contact resistance: 10mΩ max

■ TERMINAL

- Part No. : T2002PT (T)
- Applicable wire: AWG#24-#30
- Material: Phosphor Bronze
- Finish: Tin Plated
- The Dimension Marked “▼” Must Be Recorded

G

G

F

F

E

E

D

D

C

C

B

B

A

A

1

10

修订版本		2015-11-04	陈雄军	一般公差 GENERAL TOLERANCE:		0±0.30 .0±0.25 .000±0.05	投影法 Projection		品名 (PART NAME)		MX2.00mm Terminal Connector Series
变更图章格式内容		2013-12-27	陈雄军	ANGLE: ±1°		单位 Unit	MM		料号 (PART NO)		
新版本		2011-05-24	陈雄军	审核/CHECK		胡进	比例/Scale	1:1			
说明		日期		批准/APPRO		MR. feng	大小/SIZE	A4			
REV.		APPRO.		日期/DATE		2015-11-04	页码/SHEET	1/1			
DESCRIPTION		DATE		日期/DATE		2015-11-04	版本/REV	C			

<p>XYDZ® 东莞市祥运连接器有限公司 Dongguan XiangYun Connectors CO., Ltd</p>		<p>连接器 Connectors</p>	
--	--	---------------------------	--

1

2

3

4

5

6

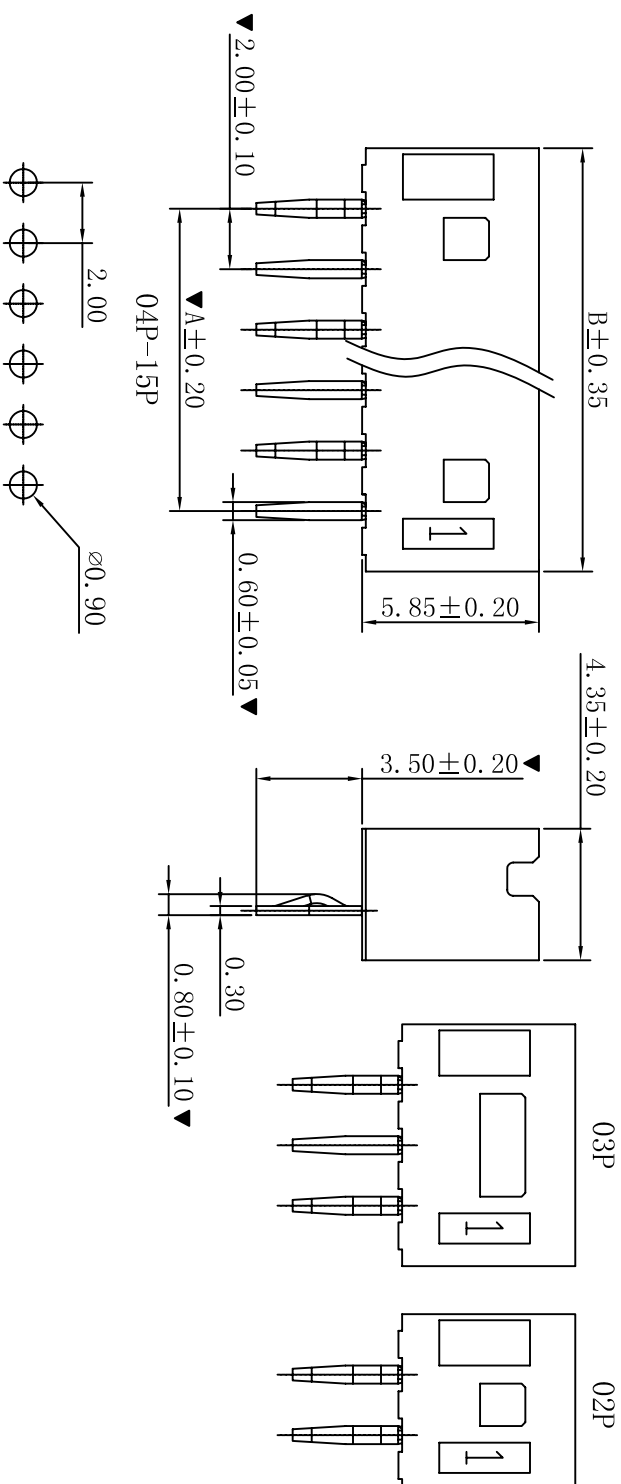
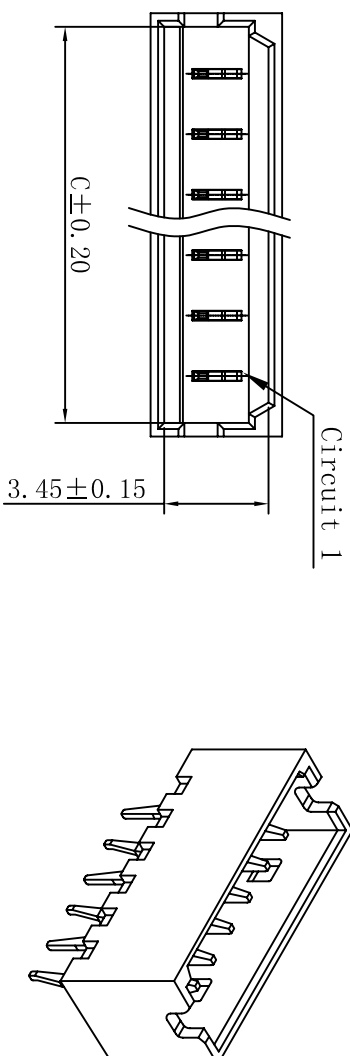
7

8

9

10

ROHS



P. C. B LAYOUT

- SPECIFICATIONS
- Voltage rating: 125V AC, DC
 - Current rating: 2A, AC, DC
 - Withstanding Voltage: 800V AC/minute
 - Insulation resistance: 1000MΩ min
 - Temperature range: -25° C~+85° C
 - Contact resistance: 10mΩ max
- WAFER
- Part No. : W2002V-NP
 - Poles : 02-15P
 - Housing Material: Nylon 66 15%GF UL94V-0
 - Pin Material: Brass
 - Contact Area Plating: Tin-Plated
 - The Dimension Marked “▼” Must Be Recorded

PART NO.	Dimensions (mm)		
	A	B	C
02	2.00	6.00	5.10
03	4.00	8.00	7.10
04	6.00	10.00	9.10
05	8.00	12.00	11.10
06	10.00	14.00	13.10
07	12.00	16.00	15.10
08	14.00	18.00	17.10
09	16.00	20.00	19.10
10	18.00	22.00	21.10
11	20.00	24.00	23.10
12	22.00	26.00	25.10
13	24.00	28.00	27.10
14	26.00	30.00	29.10
15	28.00	32.00	31.10

修订版本		2015-11-04	陈雄军
变更图宽格式内容		2013-12-27	陈雄军
新版本		2011-05-24	陈雄军
说明		日期	承认
DESCRIPTION		DATE:	APPRO.

XYDZ® 东莞市祥运连接器有限公司
Dongguan Xiangyun Connectors CO., Ltd

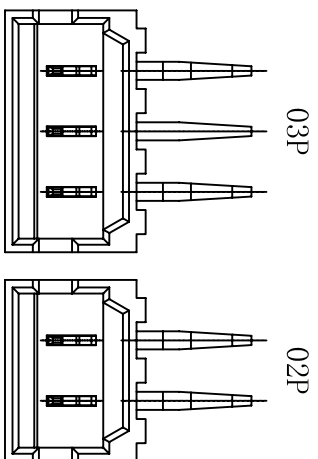
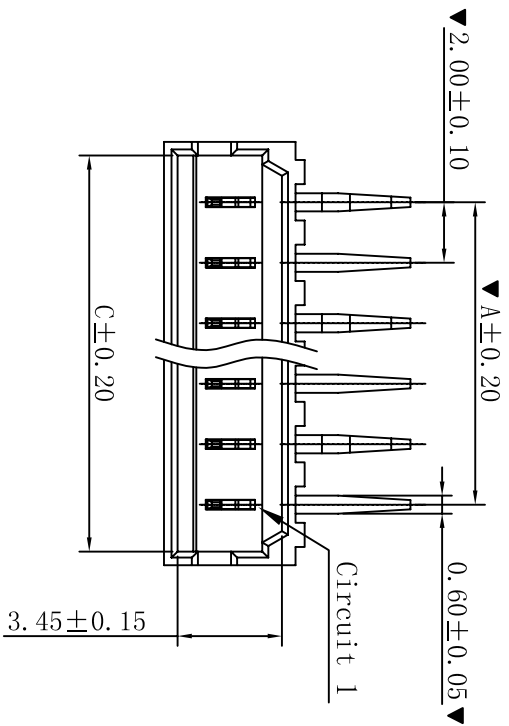
Connectors

一般公差 GENERAL TOLERANCE:	0±0.30 .0±0.25 .00±0.20 .000±0.05
投影法 Projection	第一角投影 First Angle Projection
单位 Unit	MM
比例/Scale	1:1
大小/SIZE	A4
页码/SHEET	1/1
版本/Rev	C

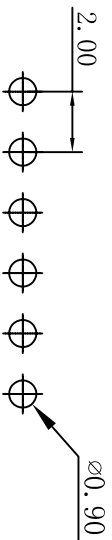
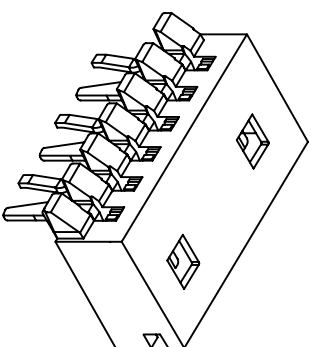
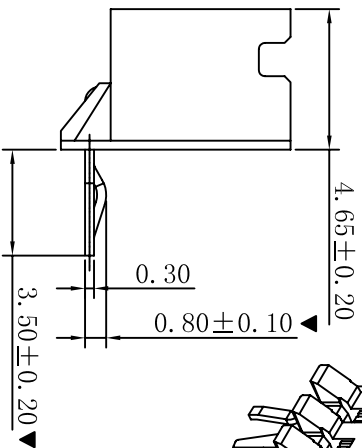
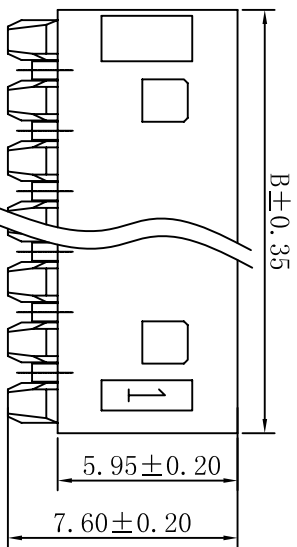
品名 (PART NAME): MX2.00mm 180° Wafer Connector Series

料号 (PART NO): W2002V-NP

ROHS



- SPECIFICATIONS
- Voltage rating: 125V AC, DC
 - Current rating: 2A, AC, DC
 - Withstanding Voltage: 800V AC/minute
 - Insulation resistance: 1000M Ω min
 - Temperature range: -25 $^{\circ}$ C ~ +85 $^{\circ}$ C
 - Contact resistance: 10m Ω max
- WAFER
- Part No.: W2002R-NP
 - Poles : 02-15P
 - Housing Material: Nylon 66 15%GF UL94V-0
 - Pin Material: Brass
 - Contact Area Plating: Tin-Plated
 - The Dimension Marked "▼" Must Be Recorded



P. C. B LAYOUT

04P-15P

G

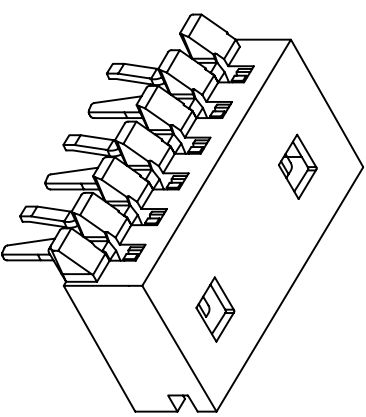
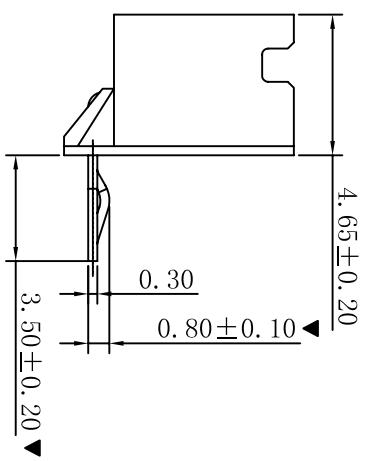
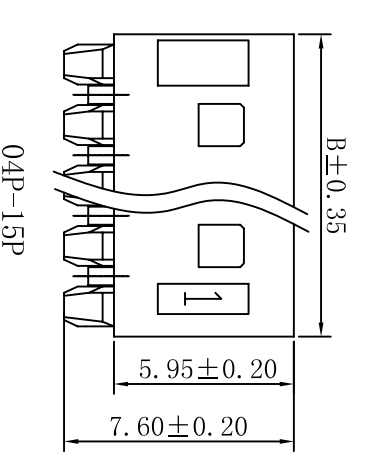
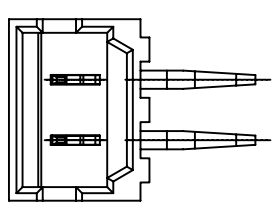
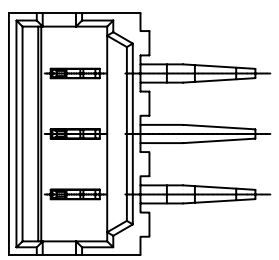
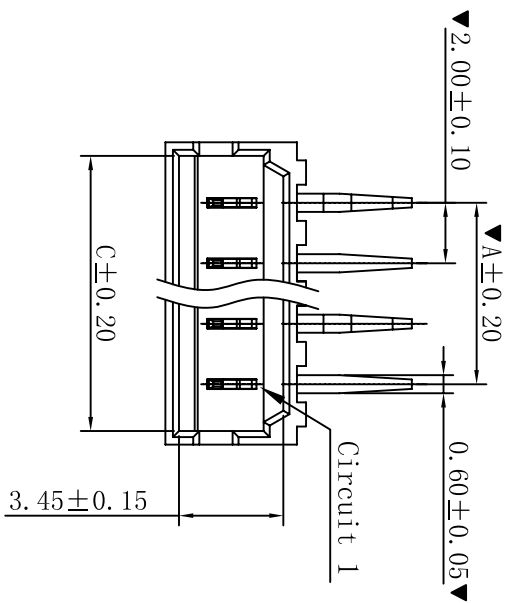
PART NO.	Dimensions (mm)		
	A	B	C
02	2.00	6.00	5.10
03	4.00	8.00	7.10
04	6.00	10.00	9.10
05	8.00	12.00	11.10
06	10.00	14.00	13.10
07	12.00	16.00	15.10
08	14.00	18.00	17.10
09	16.00	20.00	19.10
10	18.00	22.00	21.10
11	20.00	24.00	23.10
12	22.00	26.00	25.10
13	24.00	28.00	27.10
14	26.00	30.00	29.10
15	28.00	32.00	31.10

修订版本		2015-11-04	陈雄军	一般公差 GENERAL TOLERANCE: 0±0.30 .00±0.25 .000±0.05 ANGLE: ±1 $^{\circ}$	投影法 Projection MM	品名 (PART NAME) MX2.00mm 90 $^{\circ}$ Wafer Connector Series
变更图宽格式内容		2013-12-27	陈雄军			
新版本		2011-05-24	陈雄军	绘图/DR	陈雄军	料号 (PART NO) W2002R-NP
说明 DESCRIPTION		日期 DATE	承认 APPRO.	审核/CHECK	胡进	
版次 REV.		1		批准/APPRO	MR. feng	

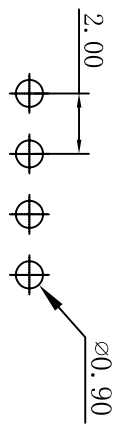
XYDZ[®] 东莞市祥运连接器有限公司
Dongguan Xiangyun Connectors CO., Ltd

1	2	3	4	5	6	7	8	9	10
---	---	---	---	---	---	---	---	---	----

RoHS



P.C.B LAYOUT



■ SPECIFICATIONS

- Voltage rating: 125V AC, DC
 - Current rating: 2A, AC, DC
 - Withstanding Voltage: 800V AC/minute
 - Insulation resistance: 1000MΩ min
 - Temperature range: -25° C ~ +85° C
 - Contact resistance: 10mΩ max
- WAFER
- Part No.: W2002R-NP-9T
 - Poles : 02-04P
 - Housing Material: Nylon9T UL94V-0
 - Pin Material: Brass
 - Contact Area Plating: Tin-Plated
 - The Dimension Marked "▼" Must Be Recorded

PART NO.	Dimensions (mm)		
	A	B	C
02	2.00	6.00	5.10
03	4.00	8.00	7.10
04	6.00	10.00	9.10

XYDZ® 东莞市祥运连接器有限公司
 Dongguan Xiangyun Connectors CO., Ltd

一般公差 GENERAL TOLERANCE:	0±0.30 .0±0.25 .000±0.05
ANGLE: ±1°	

投影法
Projection



品名
(PART NAME)
MX2.00mm 90° Wafer
Connector Series

单位
Unit
MM

料号
(PART NO)
W2002R-NP-9T

比例/Scale
1:1

大小/SIZE
A4

审核/CHECK
MR. Feng

页码/SHEET
1/1

日期/DATE
2015-11-04

版本/rev
C

修订版本 变更图宽格式内容	2015-11-04	陈雄军	说明 DESCRIPTION	日期 DATE	承认 APPRO.
新版本	2011-05-24	陈雄军			
版次 REV.	1				

绘图/DR	陈雄军
审核/CHECK	胡进
核准/APPRO	MR. Feng
日期/DATE	2015-11-04

日期/DATE	2015-11-04
承认/APPRO.	陈雄军