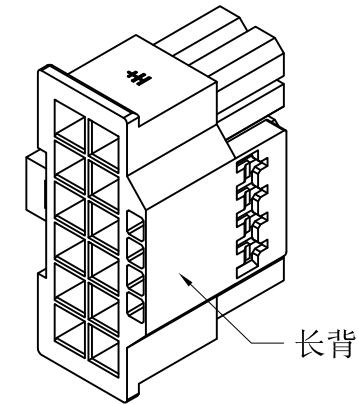
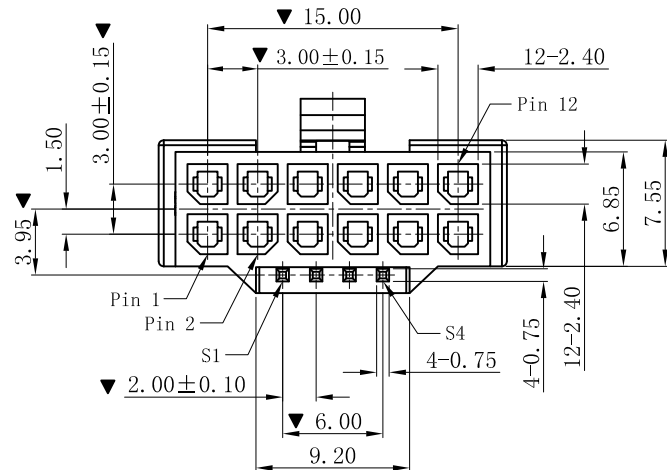
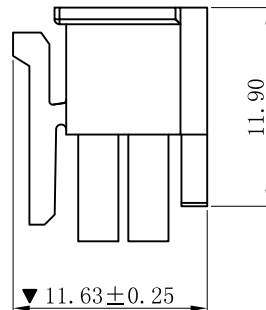
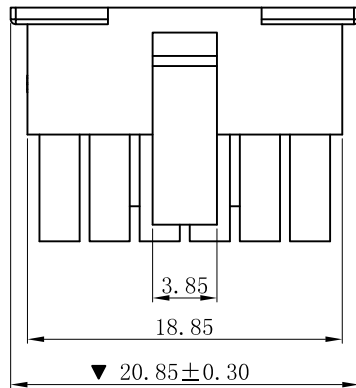
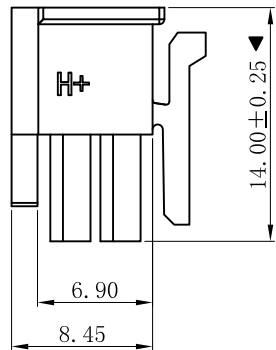
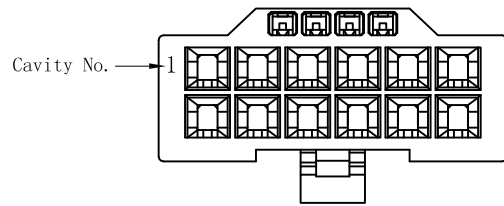


RoHS HF



■ SPECIFICATIONS

- Voltage rating: 250V AC, DC
- Current rating: 5A, AC, DC
- Withstanding Voltage: 1500V AC/minute
- Insulation resistance: 1000MΩ min
- Temperature range: -25° C ~ +85° C

■ HOUSING

- Part No.: H3021-12+4P-V0BKHFBL
- Poles : 12+4P
- Housing Material: PA66 UL94V-0 Black, HF
- The Dimension Marked “▼” Must Be Recorded

一般公差  
GENERAL  
TOLERANCE:

0 ± 0.30  
.0 ± 0.25  
.00 ± 0.20  
.000 ± 0.05  
ANGLE: ± 1°

**XYDZ® 东莞市祥运连接器有限公司**  
Connectors DongGuan XiangYun Connectors CO.,Ltd

投影法  
Projection

单位/Unit MM

比例/Scale 1:1

大小/SIZE A4

页码/SHEET 1/1

版本/Rev A

品名  
(PART NEME)

Molex 3.00mm Male or 2.0  
长背Housing Connector Series

料号  
(PART NO)

H3021-12+4P-V0BKHFBL

状态码  
C

绘图/DR PH.Duan

审核/CHECK 陈雄军

核准/APPRO 胡进

日期/DATE 2021-11-16

承认  
APPRO.

日期  
DATE.

说明  
DESCRIPTION

版次  
REV.

新版本

2021-11-16

PH.Duan

说明  
DESCRIPTION

日期  
DATE.

承认  
APPRO.

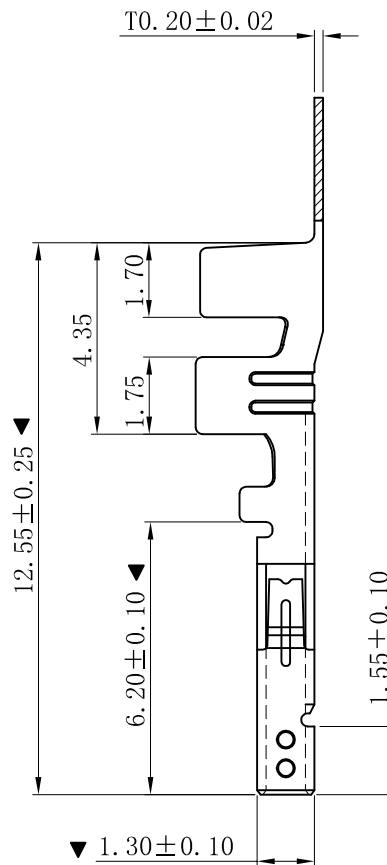
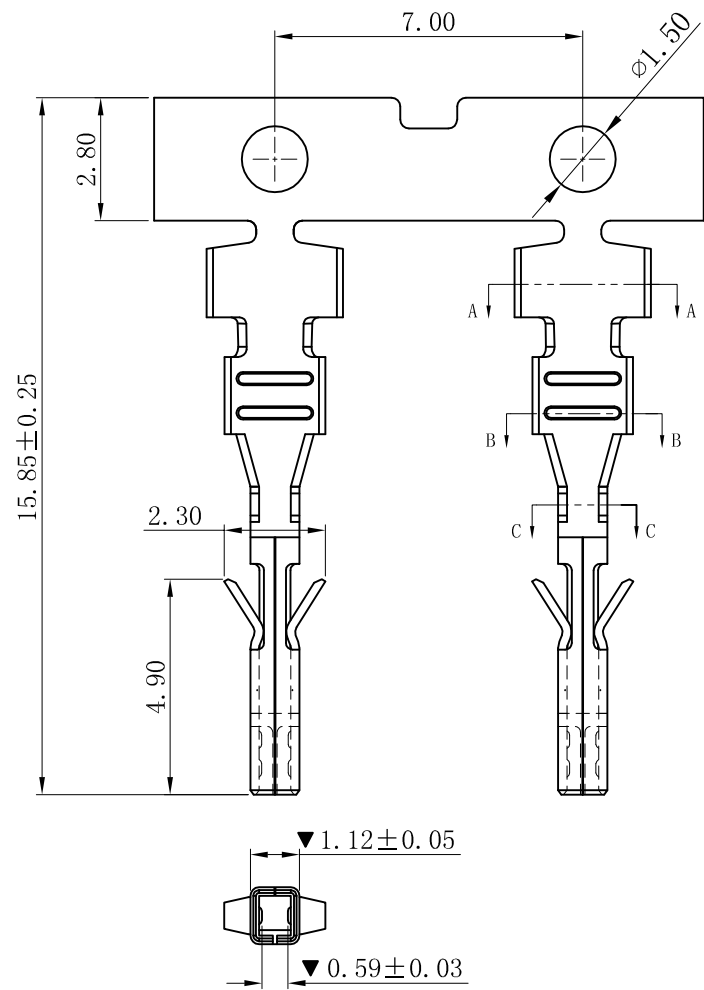
版次  
REV.

新版本

2021-11-16

PH.Duan

RoHS

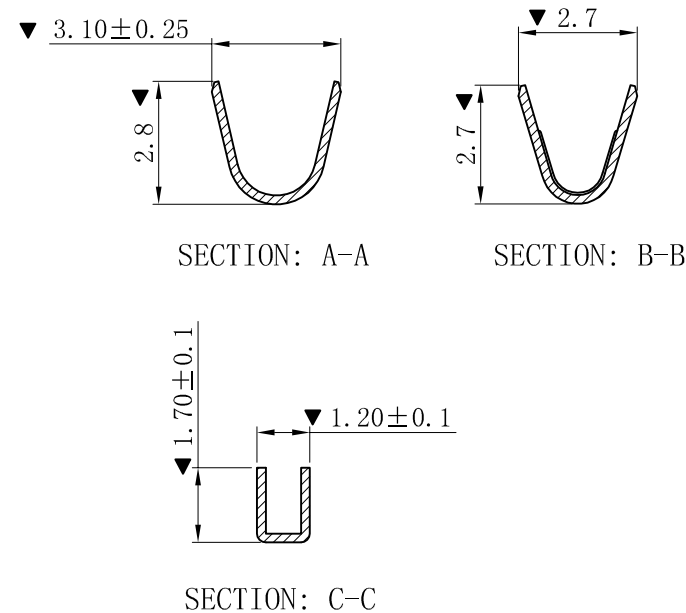


■ SPECIFICATIONS

- Voltage rating: 250V AC, DC
- Current rating: 9.2A, AC, DC
- Withstanding Voltage: 1500V AC/minute
- Temperature range: -25° C~+85° C
- Contact resistance: 20mΩ max

■ TERMINAL

- Part No.: T3030GDT-GJ-M2
- Applicable wire: AWG#16-AWG#18
- Material: High Conductivity Copper
- Finish: Tin-Plated
- The Dimension Marked “▼” Must Be Recorded



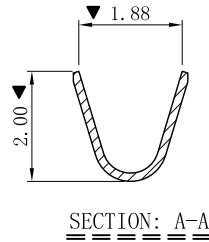
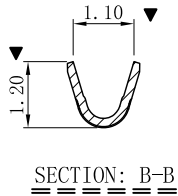
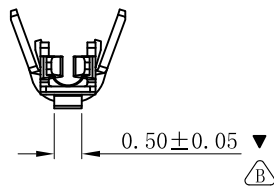
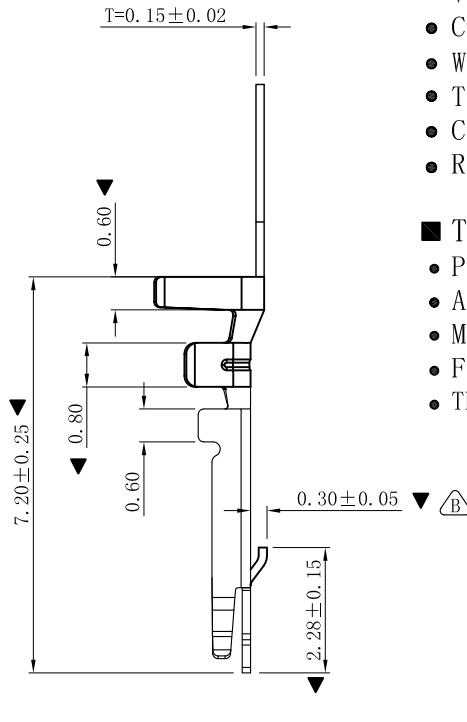
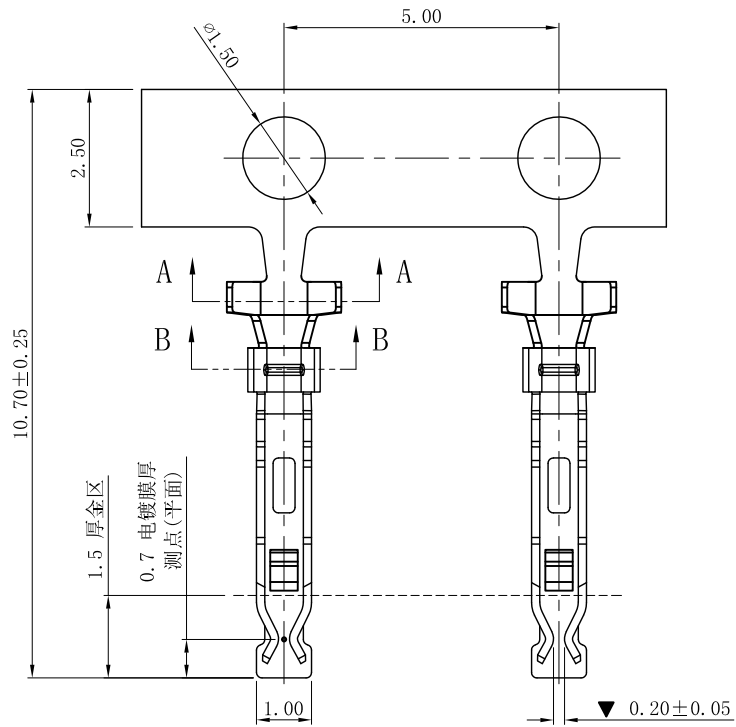
一般公差  
GENERAL  
TOLERANCE:  
0±0.30  
.0±0.25  
.00±0.20  
.000±0.05  
ANGLE: ±1°

**XYDZ® 东莞市祥运连接器有限公司**  
Connectors DongGuan XiangYun Connectors CO.,Ltd

绘图/DR	DR. Duan	投影法 Projection		品名 (PART NAME)	Molex 3.00mm Female Terminal Connector Series	
审核/CHECK	陈雄军	单位/Unit	MM	料号 (PART NO)	T3030GDT-GJ-M2	状态码 C
核准/APPRO	胡进	比例/Scale	1:1			
日期/DATE	2020-10-22	大小/SIZE	A4			
		页码/SHEET	1/1			
		版本/Rev	A			

版次 REV.	说明 DESCRIPTION	日期 DATE.	承认 APPRO.			
A	新版本	2020-10-22	DR. Duan			

RoHS

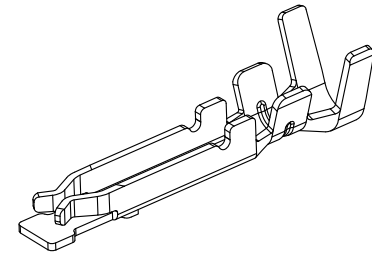


■ SPECIFICATIONS

- Voltage rating: 250V AC, DC
- Current rating: 1A, AC, DC
- Withstanding Voltage: 1500V AC/minute
- Temperature range: -25° C~+85° C
- Contact resistance: 20mΩ max
- Retention Force: 1.0Kg Min

■ TERMINAL

- Part No. : T2021PX
- Applicable wire: AWG#28, OD:0.94mm
- Material: Phosphor Bronze
- Finish: Tin-Plated
- The Dimension Marked “▼” Must Be Recorded



Part No. :  
T2021P X

Finish:

None: Tin-Plated

△ G1SN: 1u" Gold-Plated(Contact area),  
Tin-Plated(Other area )

一般公差  
GENERAL  
TOLERANCE:

0 ± 0.30  
.0 ± 0.25  
.00 ± 0.20  
.000 ± 0.05  
ANGLE. ± 1°

**XYDZ® 东莞市祥运连接器有限公司**  
Connectors DongGuan XiangYun Connectors CO.,Ltd

投影法 Projection	
单位/Unit	MM
比例/Scale	1:1
大小/SIZE	A4
页码/SHEET	1/1
版本/Rev	C

品名  
(PART NEME)

2.00mm Female Terminal  
Connector Series

料号  
(PART NO)

T2021PX

状态码  
C

C	新增电镀规格	2022-03-12	PA.Duan
B	变更挂钩尺寸: 0.35->0.50 / 0.25->0.30	2021-12-24	PA.Duan
A	新版本	2021-08-25	PA.Duan
版次 REV.	说明 DESCRIPTION	日期 DATE.	承认 APPRO.