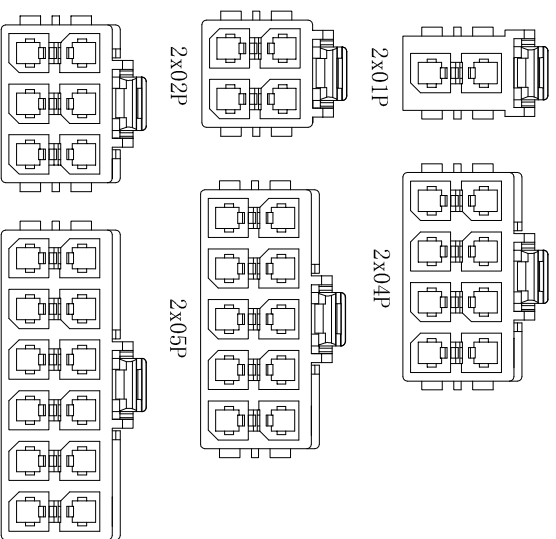
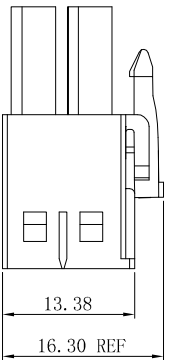
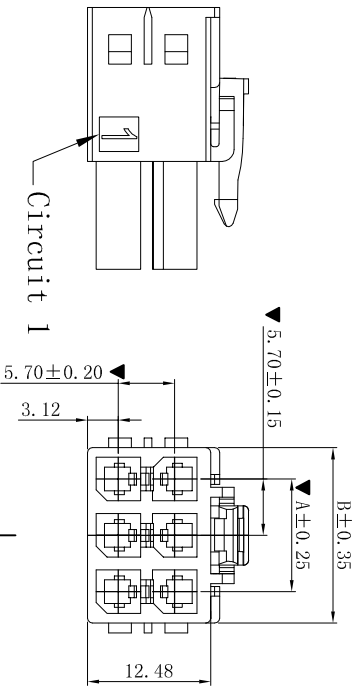
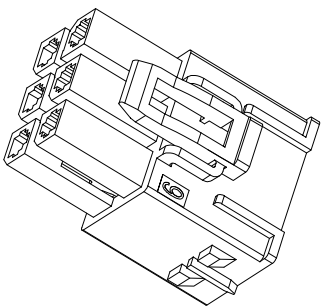
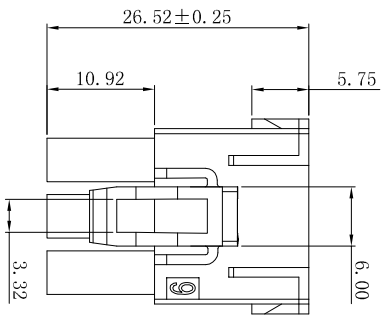


RoHS



Poles	Dimensions (mm)	
	A	B
2x01	N/A	8.35
2x02	5.70	12.05
2x03	11.40	17.75
2x04	17.10	23.45
2x05	22.80	29.15
2x06	28.50	34.85

- SPECIFICATIONS
- Voltage rating: 600V AC, DC
- Current rating: 23A, AC, DC
- Withstanding Voltage: 2200V AC/minute
- Insulation resistance: 1000MΩ min
- Temperature range: -40° C~+105° C
- HOUSING
- Part No.: H5701T-2xNP
- Poles : 02-12P
- Housing Material : PA66 UL94V-0 Black
- The Dimension Marked “▼” Must Be Recorded

XYDZ® 东莞市祥运连接器有限公司
Dongguan Xiangyun Connectors Co., Ltd

一般公差
GENERAL TOLERANCE:
0±0.30
.00±0.25
.000±0.05
ANGLE: ±1°

投影法
Projection



单位 Unit
MM

比例/Scale
1:1

大小/Size
A4

页码/SHEET
1/1

版本/Rev
A

品名 (PART NAME)
Molex 5.70mm Male Housing
Connector Series

料号 (PART NO)
H5701T-2xNP

状态码
C

绘图/DR
审核/CHECK
批准/APPRO
日期/DATE

陈雄军
胡进

2022-07-07

2022-07-07

2022-07-07

2022-07-07

承认
APPRO.

日期
DATE.

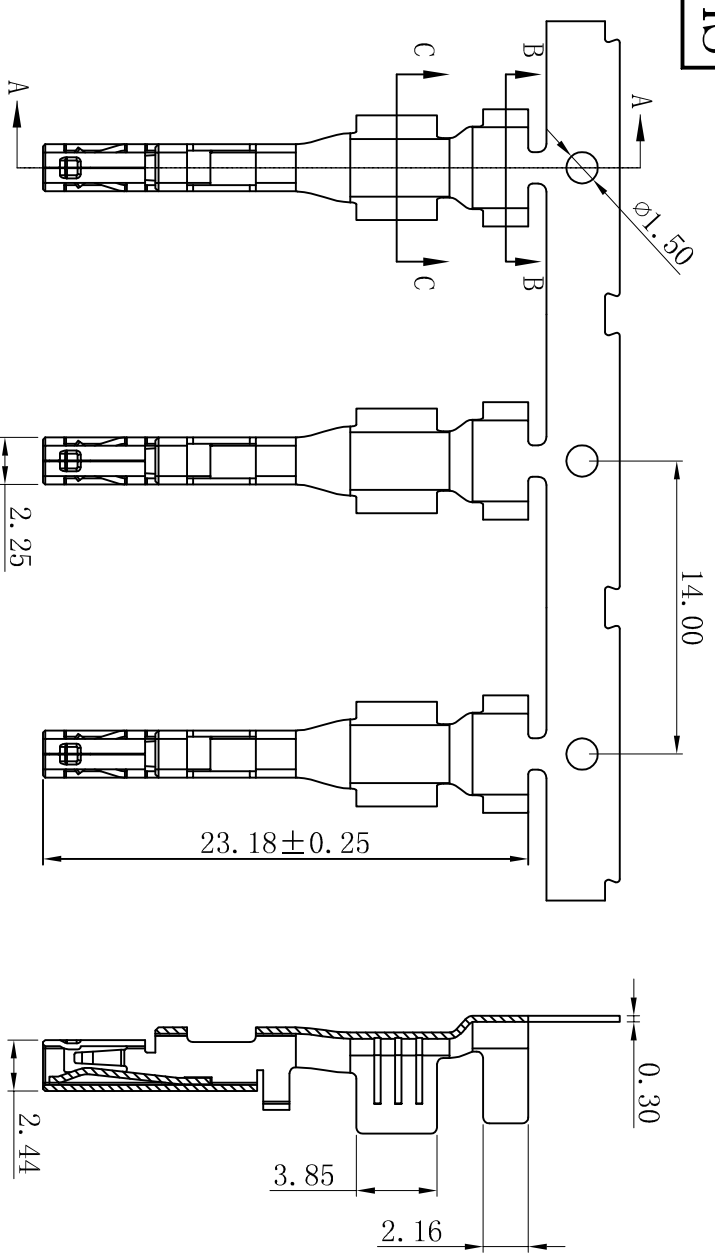
说明
DESCRIPTION

新版本

版次
REV.

1 2 3 4 5 6 7 8 9 10

ROHS



- SPECIFICATIONS
- Voltage rating: 600V AC, DC
 - Current rating: 23A, AC, DC
 - Withstanding Voltage: 2200V AC/minute
 - Temperature range: -40°C~+105°C
 - Contact resistance: 20mΩ max
- TERMINAL
- Part No.: T5701TGDT-X
 - Applicable wire: AWG#12-#16
 - Material: High Contactivity Copper Alloy
 - Finish: Tin-Plated

SECTION: B-B

SECTION: C-C

SECTION: A-A

Part NO.	Wire Range	Dimensions (mm)			
		A	B	C	D
T5701TGDT-12#	12# AWG	5.15	5.60	4.83	5.00
T5701TGDT-14#	14# AWG	4.50	5.40	5.50	6.04
T5701TGDT-16#	16# AWG	4.64	5.20	3.60	3.40

一般公差 GENERAL TOLERANCE:	0±0.30 .00±0.25 .000±0.05
绘图/DR	陈雄军
审核/CHECK	胡进
批准/APPRO	胡进
日期/DATE	2022-07-07

XYDZ® 东莞市祥运连接器有限公司
Connectors
Dongguan Xiangyun Connectors CO., Ltd

投影法 Projection	第一角投影	品名 (PART NAME)	Molex 5.70mm Female Terminal Connector Series	
单位 Unit	MM	料号 (PART NO)	T5701TGDT-X	
比例/Scale	1:1	状态码	C	
大小/SIZE	A4			
页码/SHEET	1/1			
版本/Rev	A			

版次 REV.	1	说明 DESCRIPTION	新版本	日期 DATE	2022-07-07	承认 APPRO.	胡进
------------	---	-------------------	-----	------------	------------	--------------	----